

PoE Splitter

MODEL: TL-POE10R Datasheet

Features


- Complies with IEEE802.3af standard
- Cost saving, no power cabling for Ethernet network device
- Advanced Auto-Sensing Algorithm enables taking power from 802.3af PSE
- Adjustable 5VDC, 9VDC or 12VDC output with slide switch
- Supplies up to 10W at 5VDC, 9W at 9VDC or 12W at 12VDC
- High safety with Short Circuit Protection
- Supports power detection and classification
- Auto disconnection for over voltage, under voltage or over current
- Plug & Play installation, requires no configuration



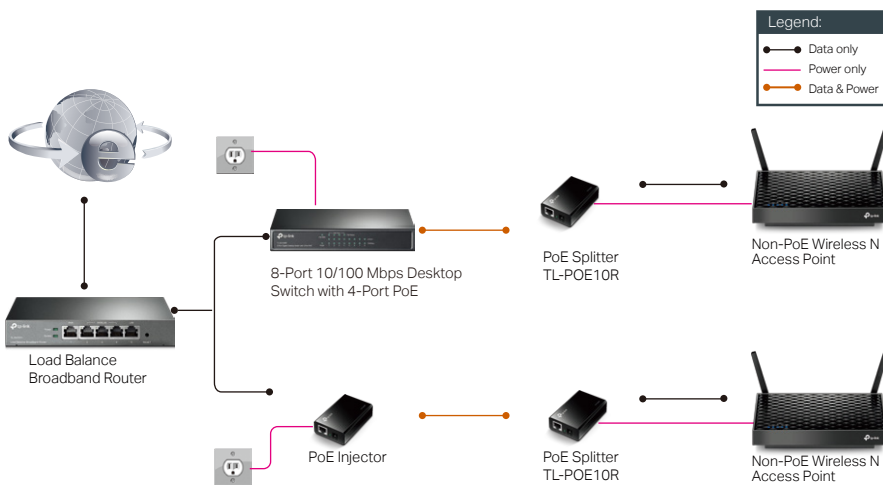
Overview

TP-Link's PoE Splitter TL-POE10R fully complies with IEEE 802.3af standard. It can receive power and data from all IEEE 802.3af PoE compliant PSE (Power Source Equipment) or PoE Injector, such as TP-Link's T2600G-28MPS, TL-SF1008P, TL-POE150S or other equivalent products, then split electric power and data into two cables, so you can install the non-PoE devices like Wireless Access Points, IP Cameras or IP Phones, in remote location where there are no power lines or outlets, where you wish to fix these devices.

Specifications

Product Picture	
Model	TL-POE10R
Standards	IEEE802.3, IEEE802.3u, IEEE802.3ab, IEEE802.3af
Ports	1 10/100/1000Mbps Auto-Negotiation RJ45 PoE port(POWER+DATA IN) 1 10/100/1000Mbps Auto-Negotiation RJ45 LAN port(LAN OUT) 1 power socket(DC OUT)
Network Media	10BASE-T: UTP category 3, 4, 5 cable (maximum 100m) EIA/TIA-568 100Ω STP (maximum 100m) 100BASE-TX: UTP category 5, 5e cable (maximum 100m) EIA/TIA-568 100Ω STP (maximum 100m) 1000BASE-T: UTP category 5, 5e, 6 cable(maximum 100m)
Basic Function	Auto-Sensing Algorithm enables taking power from 802.3af PSE Adjustable 5VDC,9VDC or 12VDC power supply Plug-and-Play
Power	Adjustable output 5VDC/2A,9VDC/1A or 12VDC/1A
LED Indicator	ON: Connected to PSE correctly Off: NO PSE is connected
Dimensions (W x D x H)	80.8 x 54 x 24mm
Certification	FCC, CE, RoHS
Package Contents	TL-POE10R, Power Cord, RJ45 cable, Installation Guide
Environment	Operating Temperature: 0°C~40°C (32°F~104°F) Storage Temperature: -40°C~70°C (-40°F~158°F) Operating Humidity: 10%~90%RH non-condensing Storage Humidity: 5%~90%RH non-condensing

Diagram



Package:

- TL-POE10R PoE Splitter
- One Ethernet (CAT.5 UTP) Cable
- One Power Cable
- User Guide

Related Products:

- Load Balance Broadband Router TL-R470T+
- 8-Port 10/100Mbps Desktop Switch with 4-Port POE TL-SF1008P
- PoE Injector TL-POE150S
- AC750 Wireless Gigabit Access Point AP200

www.tp-link.com

Specifications are subject to change without notice. TP-Link is a registered trademark of TP-Link Technologies Co., Ltd. Other brands and product names are trademarks or registered trademarks of their respective holders. Copyright © 2017 TP-Link Technologies Co., Ltd. All rights reserved.