

DS-2CE56F7T-AITZ

3 MP Motorized VF EXIR Indoor Dome Camera

- 1/3" (3 MP) High-Performance CMOS
- Analog HD Output
- 2.8 mm to 12 mm Motorized Vari-Focal Lens
- True Day/Night
- OSD Menu, DNR, Smart IR
- True WDR, Up to 120 dB
- EXIR IR, Up to 98 ft (30 m) Range
- Up-the-Coax (HIKVISION-C)



The Hikvision DS-2CE56F7T-AITZ 3 MP Motorized VF EXIR Dome Camera provides high definition analog output. TurboHD means that the analog signal can be sent over existing RG6 coaxial cable, eliminating the need to run new cables for high definition video.

EXIR is Hikvision's proprietary IR extended range technology, which has a range of 98 feet (30 meters). Smart IR varies IR output based on the zoom setting.

The 2.8 mm to 12 mm lens allows the correct angle of view to fit any situation. True 120 dB WDR (Wide Dynamic Range) ensures images will be optimal, no matter what the lighting conditions.

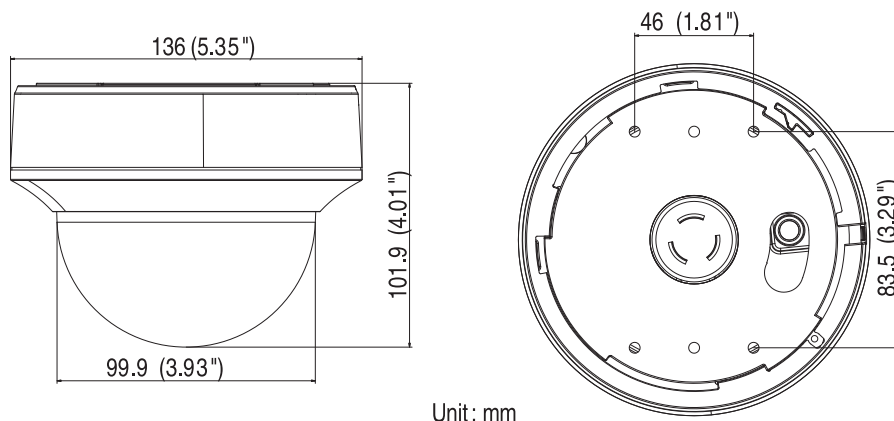
This camera also features a range of Smart functions, including line crossing, intrusion, and region entrance and exit, benefitting users with great improvements on security efficiency and, more importantly, with key events and objects being recorded for further forensic needs.

Available Models: DS-2CE56F7T-AITZ



DS-2CE56F7T-AITZ	
Camera	
Image Sensor	1/3" (3 MP) CMOS image sensor
Effective Pixels	2052 x 1536
Minimum illumination	0.01 lux @ f/1.2, AGC on, 0 lux with IR
Shutter Speed	1/25 (1/30)s to 1/50,000s
Lens	Motorized VF lens; 2.8 mm to 12 mm
	Angle of view: 26.8° to 83°
Lens Mount	φ14
Day/Night	ICR
3-Axis Positioning	Pan: 0° to 355°; tilt: 0° to 75°; rotate: 0° to 355°
Synchronization	Internal synchronization
WDR	120 dB
Video Frame Rate	1920 × 1536 @ 18 fps
HD Video Output	1 analog HD-TVI output
S/N Ratio	> 62 dB
Menu	
AGC	Supported
D/N Mode	Color/BW/Smart
White Balance	ATW/MWB
BLC	Supported
Functions	Wide Dynamic Range, digital noise reduction, mirror, Smart IR
General	
Operating Conditions	-40° F to 140° F (-40° C to 60° C), humidity 90% or less (non-condensing)
Power Supply	12 VDC ±15%, 24 VAC ±15%
Power Consumption	Maximum 6.5 W
IR Range	Up to 98 ft (30 m)
Communication	Up-the-Coax, protocol: HIKVISION-C (HD-TVI output)
Dimensions	Φ5.35" × 4.02" (Φ136 mm × 102 mm)
Weight (approximate)	1.32 lb (600 g)

Dimensions



Accessories

							
PM Pole Mount Adapter	PC130 Pendant Cap	CM Corner Mount Adapter	CPM + PC130 Ceiling Pendant Mount + Pendant Cap	WMS + PC130 Wall Mount w Junction Box – Short + Pendant Cap	RCM-3 Recessed Ceiling Mount	DS-1H18 Video Balun	X41T Camera Tester