

DS-2CD2185FWD-I(S) 8 MP IR Fixed Dome Network Camera



Key Features

- Up to 8 megapixel high resolution
- Max. 3840 × 2160 @20fps
- 2.8 mm/4 mm/6 mm/8 mm/12 mm fixed lens, optional
- H.265, H.265+, H.264+, H.264
- 120dB Wide Dynamic Range
- 3D Digital Noise Reduction
- 12 VDC & PoE (802.3af)
- IR range: up to 30 m
- Support on-board storage, up to 128 GB
- Audio I/O, Alarm I/O, optional
- IP67, IK10
- 3-axis adjustment
- Color: 0.01 lux @(F1.2, AGC ON), 0.028 Lux @(F2.0, AGC ON), 0 lux with IR



Specification

Camera	
Image Sensor	1/2.5" Progressive Scan CMOS
Min. Illumination	Color: 0.01 lux @(F1.2, AGC ON), 0.028 Lux @(F2.0, AGC ON), 0 lux with IR
Shutter Speed	1/3 s to 1/100,000 s
Slow Shutter	Yes
Focal length	2.8/4/6/8/12 mm
Focus	Fixed
Aperture	F2.0
FOV	2.8 mm, horizontal field of view: 102° 4 mm, horizontal field of view: 79° 6 mm, horizontal field of view: 50° 8 mm, horizontal field of view: 40° 12 mm, horizontal field of view: 23°
Lens Mount	M12
Day & Night	IR cut filter
DNR	3D DNR
Wide Dynamic Range	120dB
3-Axis Adjustment	Pan: 0° to 355° , tilt: 0° to 75° , rotate: 0° to 355°
Compression Standard	
Video Compression	Main stream: H.265/H.264 Sub-stream: H.265/H.264/MJPEG Third stream: H.265/H.264
H.264 Type	Main Profile/High Profile
H.264+	Main stream supports
H.265 Type	Main Profile
H.265+	Main stream supports
Video Bit Rate	32 Kbps to 16 Mbps
Audio Compression (-S)	G.711/G.722.1/G.726/MP2L2/PCM/MP3
Audio Bit Rate (-S)	64Kbps(G.711)/16Kbps(G.722.1)/16Kbps(G.726)/32-192Kbps(MP2L2)/8Kbps-320Kbps(MP3)
Image	
Max. Resolution	3840 × 2160
Main Stream	50Hz: 20 fps (3840 × 2160), 25 fps (3072 × 1728, 2560 × 1440, 1920 × 1080, 1280 × 720) 60Hz: 20 fps (3840 × 2160), 30fps (3072 × 1728, 2560 × 1440, 1920 × 1080, 1280 × 720)
Sub-Stream	50Hz: 25fps (640 × 480, 640 × 360, 320 × 240) 60Hz: 30fps (640 × 480, 640 × 360, 320 × 240)
Third Stream	50Hz: 25fps (1280 × 720, 640 × 360, 352 × 288) 60Hz: 30fps (1280 × 720, 640 × 360, 352 × 240)
Image Enhancement	BLC/3D DNR/HLC
Image Setting	Rotate mode, saturation, brightness, contrast, sharpness, AGC, and white balance adjustable by client software or web browser
ROI (Region of Interest)	Support 1 fixed region for main stream and sub-stream separately
Day/Night Switch	Day/Night/Auto/Schedule/Triggered by Alarm In (-S)
*Note: When the main stream resolution is 3840 × 2160, max frame rate is 20 fps for all streams.	
Audio (-S)	

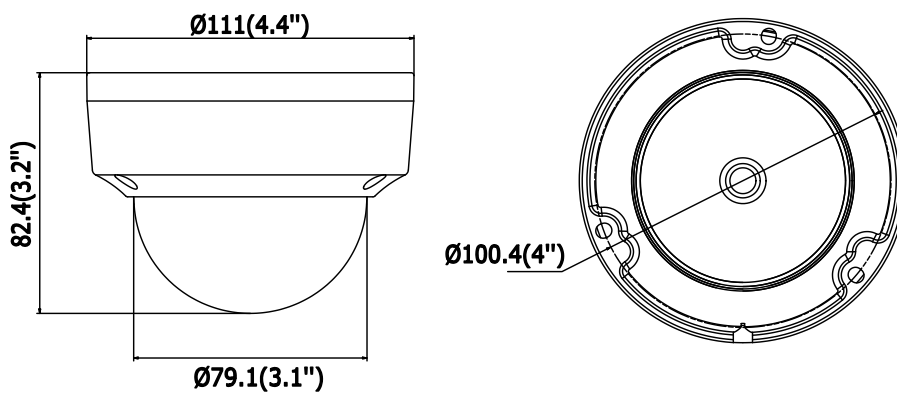
Environment Filtering	Noise	Yes
Audio I/O		Yes, mono soundtrack
Sampling Rate		8kHz/16kHz/32kHz/44.1kHz/48kHz
Network		
Network Storage		Support microSD/SDHC/SDXC card (128G) local storage, NAS (NFS,SMB/CIFS), ANR
Protocols		TCP/IP, UDP, ICMP, HTTP, HTTPS, FTP, DHCP, DNS, DDNS, RTP, RTSP, RTCP, PPPoE, NTP, UPnP, SMTP, SNMP, IGMP, 802.1X, QoS, IPv6, UDP, Bonjour, SSL/TLS
General Function		Anti-flicker, three streams, heartbeat, mirror, privacy masks, password reset via e-mail, pixel counter, HTTP listening
API		ONVIF (PROFILE S, PROFILE G, PROFILE T), ISAPI, SDK
Security		Password protection, complicated password, HTTPS encryption, 802.1X authentication (EAP-TLS 1.2, EAP-LEAP, EAP-MD5), watermark, IP address filter, basic and digest authentication for HTTP/HTTPS, WSSE and digest authentication for ONVIF, TLS1.2
Simultaneous View	Live	Up to 6 channels
User/Host		Up to 32 users 3 levels: Administrator, Operator and User
Client		iVMS-4200, Hik-Connect, Hik-Central
Web Browser		Plug-in required live view: IE8+ Plug-in free live view: Chrome 57.0+, Firefox 52.0+, Safari 11+ Local Service: Chrome 41.0+, Firefox 30.0+
Interface		
Communication Interface		1 RJ45 10M/100M self-adaptive Ethernet port
Audio (-S)		1 audio input (line in), 1 audio output interface, terminal block
Alarm (-S)		1 alarm input, 1 alarm output (max. 12 VDC, 30 mA), terminal block
On-board Storage		Built-in microSD/SDHC/SDXC slot, up to 128 GB
Reset button		Yes
Smart Feature-set		
Smart Event		Line crossing detection, intrusion detection, unattended baggage detection, object removal detection, face detection, scene change detection
Basic Event		Motion detection, video tampering alarm, exception (network disconnected, IP address conflict, illegal login, HDD full, HDD error)
Linkage Method		Trigger recording: memory card, network storage, pre-record and post-record Trigger captured pictures uploading: FTP, HTTP, NAS, Email Trigger notification: HTTP, ISAPI, alarm output (-S), Email
General		
Operating Conditions		-30 °C to +60 °C (-22 °F to +140 °F), Humidity 95% or less (non-condensing)
Web Client Language		32 languages English, Russian, Estonian, Bulgarian, Hungarian, Greek, German, Italian, Czech, Slovak, French, Polish, Dutch, Portuguese, Spanish, Romanian, Danish, Swedish, Norwegian, Finnish, Croatian, Slovenian, Serbian, Turkish, Korean, Traditional Chinese, Thai, Vietnamese, Japanese, Latvian, Lithuanian, Portuguese (Brazil)
Power Supply		12 VDC ± 25%, 6.2 W PoE(802.3af, 36 V to 57 V,class 3), 9 W
IR Range		Up to 30 m
Protection Level		IP67, IK10
Material		Camera body: metal, bubble: plastic

Dimensions	Camera: Φ 111 × 82.4 mm (Φ 4.4" × 3.2") Package: 134 × 134 × 108 mm (5.27" × 5.27" × 4.25")
Weight	Camera: 500 g (1.1 lb.)

Available Model

DS-2CD2185FWD-I (2.8/4/6/8/12 mm), DS-2CD2185FWD-IS (2.8/4/6/8/12 mm)

Dimension



Unit: mm (inch)

Accessory



Inclined Ceiling Mount
DS-1259ZJ



Wall Mount
DS-1272ZJ-110



Wall Mount + Junction Box
DS-1272ZJ-110B



Pendant Mount
DS-1271ZJ-110



Junction Box
DS-1280ZJ-DM18



Corner Mount
DS-1276ZJ-SUS



Vertical Pole Mount
DS-1275ZJ-SUS



Rain-proof Cap
DS-1250ZJ



Wall Mount
DS-1258ZJ



Inclined Ceiling Mount
DS-1259ZJ(Black)



Pendant Mount
DS-1271ZJ-110(Black)



Wall Mount
DS-1272ZJ-110(Black)



Corner Mount
DS-1276ZJ-SUS(Black)



Junction Box
DS-1280ZJ-DM18(Black)



Wall Mount
DS-1258ZJ(Black)



Vertical Pole Mount
DS-1275ZJ-SUS(Black)

Distributed by



HIKVISION®

Headquarters

No.555 Qianmo Road, Binjiang District,
Hangzhou 310051, China
T +86-571-8807-5998
overseasbusiness@hikvision.com

Hikvision USA
T +1-909-895-0400
sales.usa@hikvision.com

Hikvision Italy
T +39-0438-6902
info.it@hikvision.com

Hikvision Singapore
T +65-6684-4718
sg@hikvision.com

Hikvision Africa
T +27 (10) 0351172
sale.africa@hikvision.com

Hikvision Europe
T +31-23-55-42-770
info.eu@hikvision.com

Hikvision France
T +33(0)1-85-330-450
info.fr@hikvision.com

Hikvision Oceania
T +61-2-8599-4233
salesau@hikvision.com

Hikvision Hong Kong
T +852-2151-1761

Hikvision Middle East
T +971-4-8816086
salesme@hikvision.com

Hikvision Spain
T +34-91-737-16-55
info.es@hikvision.com

Hikvision Canada
T +1-909-895-0400
sales.usa@hikvision.com

Hikvision Russia
T +7-495-669-67-99
saleru@hikvision.com

Hikvision Poland
T +48-22-460-01-50
poland@hikvision.com

Hikvision Korea
T +82-31-731-8841
sales.korea@hikvision.com

Hikvision India
T +91-22-28469900
sales@pramahikvision.com

Hikvision UK
T +01628-902140
support.uk@hikvision.com

Hikvision Brazil
T +55 11 3318-0050
Latam.support@hikvision.com