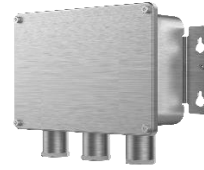


DS-1284ZJ-M

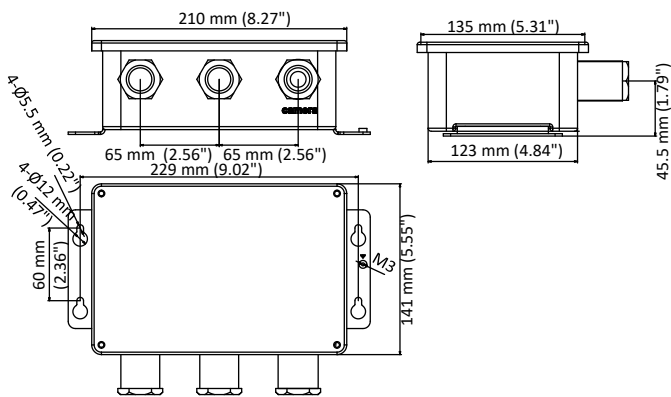
Junction Box



Key Features:

- Stainless steel 316L material
- Compact design, beautiful appearance

Dimensions:



Order Model:

DS-1284ZJ-M

Specification:

| Model | DS-1284ZJ-M |
|-------------|--|
| Parameter | Junction Box |
| Appearance | Natural Stainless Steel Color |
| Application | Suitable for bullet and turret camera |
| Material | Stainless steel 316L |
| Dimension | 229 mm (9.02") × 210 mm (8.27") × 135 mm (5.31") |
| Weight | 1981 g (4.37 lb.) |

Notice:

- The bracket should be installed on flat wall
- Waterproof rubber is necessary for outdoor application
- The wall must be capable of supporting over 3 times as much as the total weight of the camera and the mount.
- The maximum load capacity of the bracket is 3 kg (6.62 lb.)