

DS-1281ZJ-M(Black)

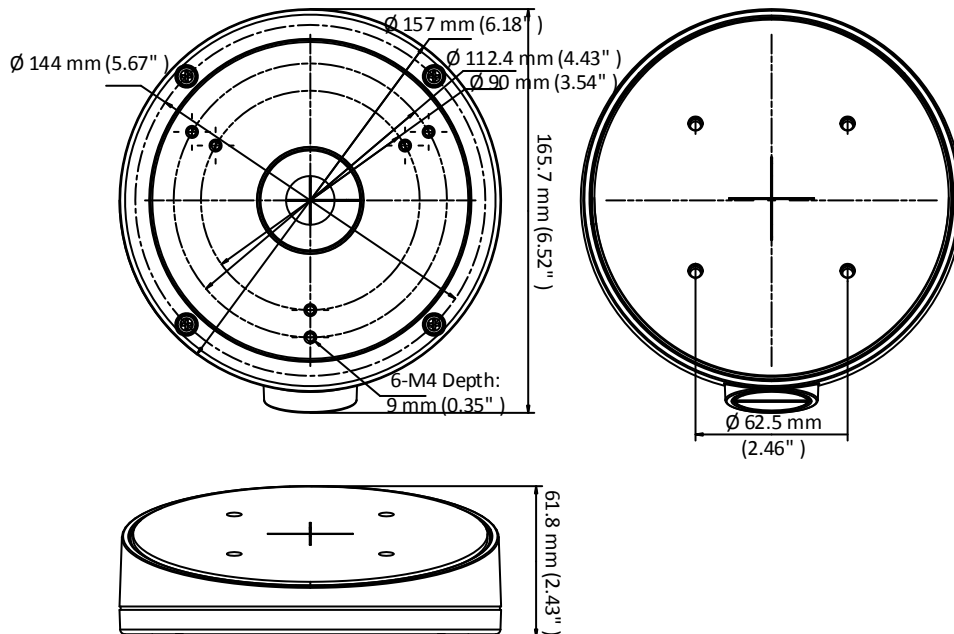
Inclined Ceiling Mount



Features

- Aluminum alloy with surface spray treatment
- Side outlet, and bottom outlet
- Applies to both indoor conditions, and outdoor conditions

Dimension



Available Model

DS-1281ZJ-M(Black)

Parameter

| | |
|------------|---|
| Model | DS-1281ZJ-M(Black) |
| Parameters | Inclined Ceiling Mount |
| Appearance | Black |
| Material | Aluminum Alloy |
| Dimension | $\varnothing 157$ mm \times 165.7 mm \times 61.8 mm ($\varnothing 6.18$ " \times 6.52" \times 2.43") |
| Weight | 586 g (1.29 lb.) |

Notes

- The mount should be installed on the flat surface.
- Waterproof rubber is necessary for the outdoor application.
- The wall must be capable of supporting at least 3 times as much as the total weight of the camera, and the mount.
- The maximum load capacity of the mount is 4.5 kg (9.9 lb.).