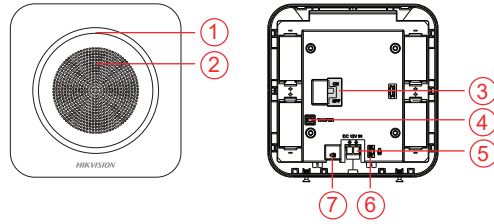
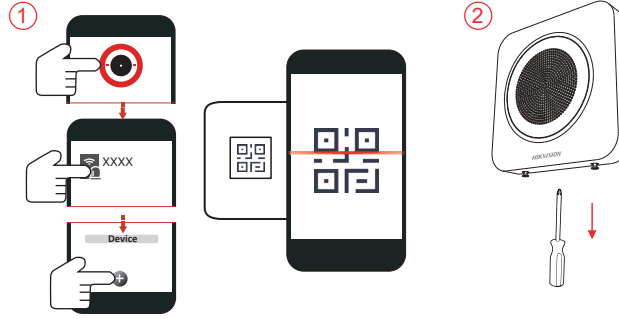


EN 50131+A1+A2+A3
EN 50131-4:2019
EN 50131-5-3:2017
SG 2, EC II

1



2



©2022 Hangzhou Hikvision Digital Technology Co., Ltd. All rights reserved.
About this Manual
This manual includes instructions for using and managing the Product. Pictures, charts, images and all other information herein are for description and explanation only. The information contained in this Manual is subject to change without notice, due to firmware updates or other reasons. Please find the latest version of this Manual at the Hikvision website (https://www.hikvision.com/).
Please use this Manual with the guidance and assistance of professionals trained in supporting the Product. HIKVISION and other Hikvision's trademarks and logos are the properties of Hikvision in various jurisdictions. Other trademarks and logos mentioned are the properties of their respective owners.
Disclaimer
TO THE MAXIMUM EXTENT PERMITTED BY APPLICABLE LAW, THIS MANUAL AND THE PRODUCT DESCRIBED, WITH ITS HARDWARE, SOFTWARE AND FIRMWARE, ARE PROVIDED "AS IS" AND "WITH ALL FAULTS AND ERRORS". HIKVISION MAKES NO WARRANTIES, EXPRESS OR IMPLIED, INCLUDING WITHOUT LIMITATION, MERCHANTABILITY, SATISFACTORY QUALITY, OR FITNESS FOR A PARTICULAR PURPOSE. THE USE OF THE PRODUCT BY YOU IS AT YOUR OWN RISK. IN NO EVENT WILL HIKVISION BE LIABLE TO YOU FOR ANY SPECIAL, CONSEQUENTIAL, INCIDENTAL, OR INDIRECT DAMAGES, INCLUDING, AMONG OTHERS, DAMAGES FOR LOSS OF BUSINESS PROFITS, BUSINESS INTERRUPTION, OR LOSS OF DATA, CORRUPTION OF SYSTEMS, OR LOSS OF DOCUMENTATION, WHETHER BASED ON BREACH OF CONTRACT, TORT (INCLUDING NEGLIGENCE), PRODUCT LIABILITY, OR OTHERWISE, IN CONNECTION WITH THE USE OF THE PRODUCT, EVEN IF HIKVISION HAS BEEN ADVISED OF THE POSSIBILITY OF SUCH DAMAGES OR LOSS.
YOU ACKNOWLEDGE THAT THE NATURE OF THE INTERNET PROVIDES FOR INHERENT SECURITY RISKS, AND HIKVISION SHALL NOT TAKE ANY RESPONSIBILITIES FOR ABNORMAL OPERATION, PRIVACY LEAKAGE OR OTHER DAMAGES RESULTING FROM CYBER-ATTACK, HACKER ATTACK, VIRUS INFECTION, OR OTHER INTERNET SECURITY RISKS. HOWEVER, HIKVISION WILL PROVIDE TIMELY TECHNICAL SUPPORT IF REQUIRED. YOU AGREE TO USE THIS PRODUCT IN COMPLIANCE WITH ALL APPLICABLE LAWS, AND YOU ARE SOLELY RESPONSIBLE FOR ENSURING THAT YOUR USE CONFORMS TO THE APPLICABLE LAW, ESPECIALLY, YOU ARE RESPONSIBLE FOR USING THIS PRODUCT IN A MANNER THAT DOES NOT INFRINGE ON THE RIGHTS OF THIRD PARTIES, INCLUDING WITHOUT LIMITATION, RIGHTS OF PUBLICITY, INTELLECTUAL PROPERTY RIGHTS, OR DATA PROTECTION AND OTHER PRIVACY RIGHTS. YOU SHALL NOT USE THIS PRODUCT FOR ANY PROHIBITED END-USES, INCLUDING THE DEVELOPMENT OR PRODUCTION OF WEAPONS OF MASS DESTRUCTION, THE DEVELOPMENT OR PRODUCTION OF CHEMICAL OR BIOLOGICAL WEAPONS, ANY ACTIVITIES IN THE CONTEXT RELATED TO ANY NUCLEAR EXPLOSIVE OR UNSAFE NUCLEAR FUEL CYCLE, OR IN SUPPORT OF HUMAN RIGHTS ABUSES.
IN THE EVENT OF ANY CONFLICTS BETWEEN THIS MANUAL AND THE APPLICABLE LAW, THE LATER PREVAILS.

CE This product and - if applicable - the supplied accessories too are marked with "CE" and comply therefore with the applicable harmonised European standards listed under the RE Directive 2014/53/EU, the EMC Directive 2014/30/EU, the RoHS Directive 2011/65/EU, 2012/19/EU (WEEE directive). Products marked with the symbol cannot be disposed of as unsorted municipal waste in the European Union. For proper recycling, return this product to your local supplier upon the purchase of equivalent new equipment, or dispose of it at designated collection points. For more information see: www.recycleit.info
2006/66/EC (Battery directive): This product contains a battery that cannot be disposed of as unsorted municipal waste in the European Union. See the product documentation for specific battery information. The battery is marked with this symbol, which may include lettering to indicate cadmium (Cd), lead (Pb), or mercury (Hg). For proper recycling, return the battery to your supplier or to a designated collection point. For more information see: www.recycleit.info

CAUTION
The equipment shall not be exposed to dripping or splashing and that no objects filled with liquids, such as vases, shall be placed on the equipment.

BATTERY CAUTION
1. Risk of explosion if the battery is replaced by an incorrect type.
2. Improper replacement of the battery with an incorrect type may defeat a safeguard (for example, in the case of some lithium battery types).
3. Do not dispose of the battery into fire or a hot oven, or mechanically crush or cut the battery, which may result in an explosion.
4. Do not leave the battery in an extremely high temperature surrounding environment, which may result in an explosion or the leakage of flammable liquid or gas.
5. Do not subject the battery to extremely low air pressure, which may result in an explosion or the leakage of flammable liquid or gas.
6. Dispose of used batteries according to the instructions.

English

1 Appearance

- 1. LED Indicator
- 2. Buzzer
- 3. Power Switch
- 4. Tamper Switch
- 5. DC12 V Holder
- 6. Intercom
- 7. Loudspeaker

2 Set Up

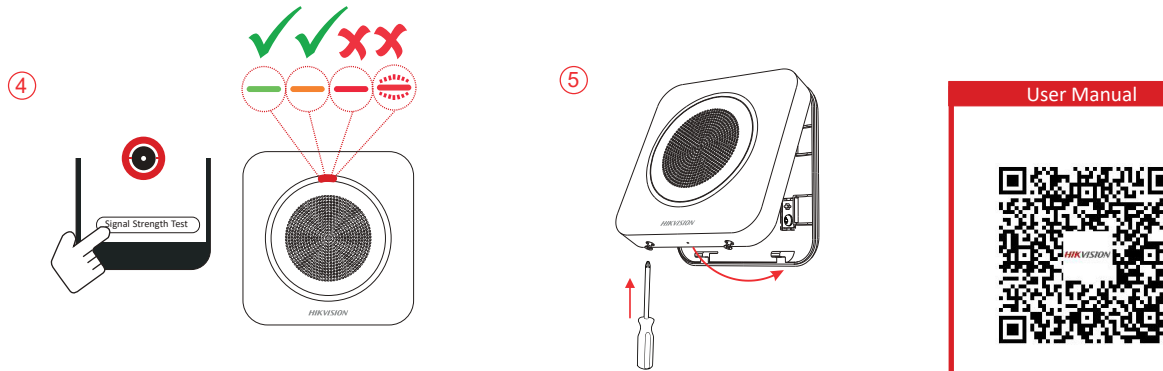
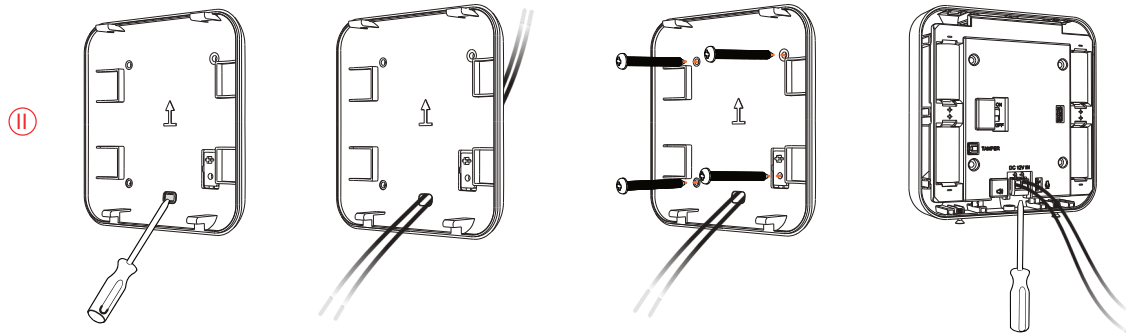
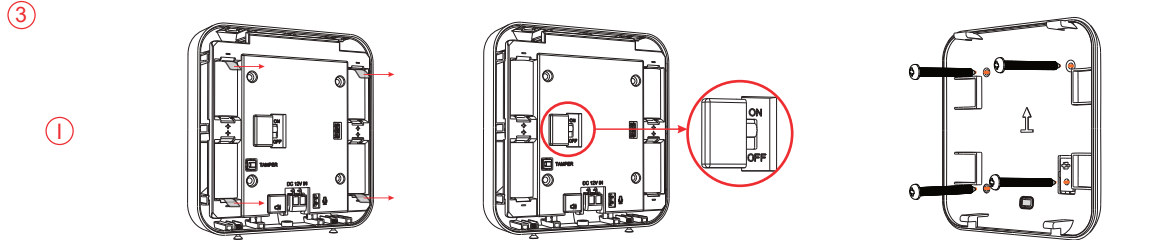
- 1. Set up with App.
- 2. Open the shell.
- 3. Power on and install the rear panel.
 - i. Battery Powered
 - ii. DC12 V Powered
- 4. Check signal strength.
- 5. Close the shell.

User Manual

Scan the QR code for more information and operation help.

Specification

Wireless technology	Cam-X, two-way communication
RF frequency	868 MHz
Modulation	2GFSK
RF distance	1000 m (open area)
Tamper-proof	Supported, front and rear
Buzzer	Supported
Mic	Supported
Power interface	12 VDC
Power switch	Power on/off
Serial port	1
LED indicator	Enrollment/Signal (red/green), Alarm (blue/red), Two-way audio service (blue/red)
Power consumption	Quiescent current: 25 uA Max current: 1.6 A Voltage: 3 V
Battery type	Four CR123 batteries
Battery life span	Up to 2 years (Alarm once a week, 5 mins alarm and 5 mins talk)
Power supply	Support 12 VDC Power Supply
Operation temperature	-10 °C to 55 °C
Operation humidity	10% to 90%
Color	White
Installation method	Wall mounting
Dimension (W × H × D)	130 × 128 × 39.5 mm
Weight	361.0 g



User Manual

Português (Brasil)

1 Apresentação

- 1. Indicador de LED
2. Campanha
3. Interruptor
4. Interruptor de violação
5. Suporte para CC 12 V
6. Intercomunicador
7. Alto-falante

2 Configuração

- 1. Configure com o aplicativo.
2. Abra o invólucro.
3. Ligue e instale o painel traseiro.
I. Alimentação por bateria
II. Alimentação CC 12 V
4. Verifique a intensidade do sinal.
5. Feche o invólucro.

Manual do usuário

Leia o código QR para mais informações e ajuda na operação.

Especificações

Table with 2 columns: Specification (e.g., Tecnologia sem fio, Frequência de RF) and Value (e.g., Cam-X, comunicação bidirecional, 868 MHz).

Português

1 Aspeto

- 1. Indicador LED
2. Campanha
3. Interruptor de Alimentação
4. Interruptor de Adulteração
5. Suporte para CC 12 V
6. Intercomunicador
7. Altifalante

2 Configuração

- 1. Configure com a aplicação.
2. Abra o invólucro.
3. Ligue e instale o painel posterior.
I. Alimentação por bateria
II. Alimentação por CC 12 V
4. Verifique a intensidade do sinal.
5. Feche o invólucro.

Manual de utilizador

Faça o leitura do código QR para obter mais informações e ajuda sobre o funcionamento do produto.

Especificações

Table with 2 columns: Specification (e.g., Tecnologia sem fios, Frequência RF) and Value (e.g., Cam-X, comunicação bidirecional, 868 MHz).

Русский

1 Внешний вид

- 1. Светодиодный индикатор
2. Зуммер
3. Выключатель питания
4. Реле защиты от вскрытия
5. Держатель 12 В пост. тока
6. Интерком
7. Динамик

2 Настройка

- 1. Настройка с помощью приложения.
2. Открытие корпуса.
3. Включите питание и установите заднюю панель.
I. Питание от батареи
II. Питание 12 В пост. тока
4. Проверка уровня сигнала.
5. Заврекаыва обложки.

Руководство пользователя

Для получения дополнительной информации и ознакомления с руководством по эксплуатации отсканируйте QR-код.

Технические данные

Table with 2 columns: Specification (e.g., Беспроводная технология, Радиочастота) and Value (e.g., Cam-X, двухсторонняя коммуникация, 868 MHz).

Nederlands

1 Verschijning

- 1. Led-indicator
2. Zoemer
3. Aan-/uitschakelaar
4. Sabotageschakelaar
6. Intercom
5. Houder voor DC12 V
7. Luidspreker

2 Installeren

- 1. Instellen met de app.
2. Open de behuizing.
3. Schakel het achterpaneel in en installeer het.
I. Batterijvoeding
II. Gevoed door DC12 V
4. Controleer de signaalsterkte.
5. Sluit de behuizing.

Gebruiksaanwijzing

Scan de QR-code voor meer informatie en assistentie bij de bediening.

Specificatie

Table with 2 columns: Specification (e.g., Draadloze technologie, RF-frequentie) and Value (e.g., Cam-X, tweerichtingscommunicatie, 868 MHz).

©2022 Hangzhou Hikvision Digital Technology Co., Ltd. Todos os direitos reservados. Aceita este documento para utilizar e gerir o produto. As fotografias, os gráficos, as imagens e todos os outros...

©2022 Hangzhou Hikvision Digital Technology Co., Ltd. Todos os direitos reservados. Aceita este documento para utilizar e gerir o produto. As fotografias, os gráficos, as imagens e todos os outros...

©2022 Hangzhou Hikvision Digital Technology Co., Ltd. Alle rechtea vorbehalten. Aeer diese Handlung... Die Handlungsvorgangsinstruktionen verwenden Sie getrennt von der Produkt...

©2022 Hangzhou Hikvision Digital Technology Co., Ltd. Alle rechten vorbehalten. Aeer diese Handlung... Die Handlungsvorgangsinstruktionen verwenden Sie getrennt von der Produkt...

CE mark and other regulatory information in Portuguese (Brazil), including text about the product's compliance with European standards.

CE mark and other regulatory information in Portuguese, including text about the product's compliance with European standards.

CE mark and other regulatory information in Russian, including text about the product's compliance with European standards.

CE mark and other regulatory information in Dutch, including text about the product's compliance with European standards.

