

## DS-2XC6645G0(D) 4 MP Anti-Corrosion Network Bullet Camera



- 316L stainless steel enclosure, protecting cameras to be used in corrosive environments, providing reliability and longevity compared to standard cameras
- A built-in wiper removes water and dust on the screen and ensures clear images when the camera is used in dusty or damp environments
- IP67 water resistant, preventing water ingress for outdoor use
- H.265+/H.265/H.264+/H.264 encoding: efficient compression technology saves storage space and reduces bandwidth requirements



## ▪ Specification

| Camera                      |  |
|-----------------------------|--|
| Image Sensor                | 1/1.8" Progressive Scan CMOS   |
| Max. Resolution             | 2688 × 1520  |
| Min. Illumination           | Color: 0.0005 Lux @(F1.2, AGC ON), B/W: 0.0001 Lux @(F1.2, AGC ON), 0 Lux with IR  |
| Shutter Time                | 1/3 s to 1/100,000 s   |
| Day & Night                 | IR cut filter  |
| Lens                        |  |
| Lens Type                   | Varifocal lens, motorized lens, 2.8 to 12 mm and 8 to 32 mm optional   |
| Focal Length & FOV          | 2.8 to 12 mm, horizontal FOV 94.2° to 38.1°<br>8 to 32 mm, horizontal FOV 42.2° to 15.1°   |
| Focus                       | Auto, semi-auto, manual  |
| Aperture                    | 2.8 to 12 mm: F1.4<br>8 to 32 mm: F1.7   |
| DORI                        |  |
| DORI                        | 2.8 to 12 mm:<br>D: 44.1 to 151.7 m, O: 17.5 to 60.2 m, R: 8.8 to 30.3 m, I: 4.4 to 15.2 m<br>8 to 32 mm:<br>D: 150.3 to 400 m, O: 59.7 to 158.7 m, R: 30.1 to 80 m, I: 15 to 40 m |
| Illuminator                 |  |
| Supplement Light Type       | IR   |
| Supplement Light Range      | 2.8 to 12 mm: 80 m, 8 to 32 mm: 150 m  |
| Smart Supplement Light      | Yes  |
| IR Wavelength               | Up to 850 nm   |
| Video                       |  |
| Main Stream                 | 50 Hz: 25 fps (2688 × 1520, 1920 × 1080, 1280 × 720)<br>60 Hz: 30 fps (2688 × 1520, 1920 × 1080, 1280 × 720)   |
| Sub-Stream                  | 50 Hz: 25 fps (640 × 480, 640 × 360)<br>60 Hz: 30 fps (640 × 480, 640 × 360)   |
| Third Stream                | 50 Hz: 25 fps (1280 × 720, 640 × 480, 640 × 360, 320 × 240)<br>60 Hz: 30 fps (1280 × 720, 640 × 480, 640 × 360, 320 × 240)   |
| Video Compression           | Main stream: H.265/H.264/H.265+/H.264+<br>Sub-stream: H.265/H.264/MJPEG<br>Third stream: H.265/H.264   |
| Video Bit Rate              | 32 Kbps to 8 Mbps  |
| H.264 Type                  | Baseline Profile/Main Profile/High Profile   |
| H.265 Type                  | Main Profile   |
| Bit Rate Control            | CBR, VBR   |
| Scalable Video Coding (SVC) | H.265 and H.264 encoding   |
| Region of Interest (ROI)    | 1 fixed region for main stream and sub-stream  |
| Target Cropping             | Yes  |
| Audio                       |  |
| Audio Type                  | Mono sound   |
| Audio Compression           | G.711/G.722.1/G.726/MP2L2/PCM/AAC/MP3  |

|                             |  |
|-----------------------------|--|
| Audio Bit Rate              | 64 Kbps (G.711)/16 Kbps (G.722.1)/16 Kbps (G.726)/32 to 192 Kbps (MP2L2)/8 Kbps to 320 Kbps (MP3)  |
| Audio Sampling Rate         | 8 kHz/16 kHz/32 kHz/44.1 kHz/48 kHz  |
| Environment Noise Filtering | Yes  |
| <b>Network</b>              |  |
| Protocols                   | TCP/IP, ICMP, HTTP, HTTPS, FTP, SFTP, DHCP, DNS, DDNS, RTP, RTSP, RTCP, PPPoE, NTP, UPnP, SMTP, SNMP, IGMP, 802.1X, QoS, IPv6, UDP, SSL/TLS  |
| Simultaneous Live View      | Up to 6 channels   |
| API                         | Open Network Video Interface, ISAPI, SDK, Ehome  |
| User/Host                   | Up to 32 users. 3 user levels: administrator, operator and user  |
| Network Storage             | NAS (NFS, SMB/CIFS), auto network replenishment (ANR)<br>Together with high-end Hikvision memory card, memory card encryption and health detection are supported.  |
| Client                      | iVMS-4200, Hik-Connect, Hik-Central  |
| Web Browser                 | Plug-in required live view: IE 8+, Chrome 41.0 to 44, Firefox 30.0 to 51, Safari 8.0 to 11<br>Plug-in free live view: Chrome 45.0+, Firefox 52.0+<br>Local service: Chrome 57.0+, Firefox 52.0+<br>Not recommended: Safari 11+, Edge                   |
| <b>Image</b>                |  |
| Image Parameters Switch     | Yes  |
| Image Settings              | Rotate mode, saturation, brightness, contrast, sharpness, gain, white balance adjustable by client software or web browser   |
| Wide Dynamic Range (WDR)    | 120 dB   |
| Day/Night Switch            | Day, Night, Auto, Schedule   |
| Privacy Mask                | 8 programmable polygon privacy mask  |
| SNR                         | ≥ 50 dB  |
| Image Enhancement           | BLC, HLC, 3D DNR, Defog, EIS   |
| <b>Interface</b>            |  |
| Video Output                | 1 Vp-p composite output (75 Ω/BNC)   |
| Ethernet Interface          | 1 RJ45 10 M/100 M self-adaptive Ethernet port  |
| On-Board Storage            | Built-in memory card slot, support microSD/SDHC/SDXC card, up to 256 GB<br><i>*You are recommended to purchase memory card together with the product if needed. After ordering, the memory card will be installed to product during manufacturing.</i> |
| Alarm                       | 1 input, 1 output (max. 24 VDC, 1 A or 110 VAC, 500 mA)  |
| Reset Key                   | Yes  |
| <b>Event</b>                |  |
| Basic Event                 | Exception (network disconnected, IP address conflict, illegal login, HDD full, HDD error)  |
| Smart Event                 | Line crossing detection, intrusion detection, region entrance detection, region exiting detection, unattended baggage detection, object removal detection,<br>Scene change detection, defocus detection  |
| Linkage                     | Upload to FTP/NAS/memory card, notify surveillance center, send email, trigger alarm output, trigger recording, trigger capture  |
| <b>General</b>              |  |
| Power                       | 24 VAC ± 20%, 24V~, 1.7 A, 50/60 Hz, 23.5 W;<br>PoE: 802.3at, 42.5 V to 57 V, 0.57 A to 0.43 A, max. 24 W  |

|                                  |   |
|----------------------------------|---|
| Material                         | 316L and anti-corrosion coating   |
| Dimension                        | 179.9 mm × 203.2 mm × 468 mm (7.1" × 8" × 18.4")  |
| Package Dimension                | 606 mm × 270 mm × 335 mm (23.9" × 10.6" × 13.2")  |
| Weight                           | Approx. 9.04 kg (19.93 lb.)   |
| With Package Weight              | Approx. 10.99 kg (24.22 lb.)  |
| Storage Conditions               | -30 °C to +60 °C (-22 °F to +140 °F). Humidity 95% or less (non-condensing)   |
| Startup and Operating Conditions | -40 °C to +60 °C (-40 °F to +140 °F). Humidity 95% or less (non-condensing)   |
| Language                         | 33 languages: English, Russian, Estonian, Bulgarian, Hungarian, Greek, German, Italian, Czech, Slovak, French, Polish, Dutch, Portuguese, Spanish, Romanian, Danish, Swedish, Norwegian, Finnish, Croatian, Slovenian, Serbian, Turkish, Korean, Traditional Chinese, Thai, Vietnamese, Japanese, Latvian, Lithuanian, Portuguese (Brazil), Ukrainian |
| General Function                 | Anti-flicker, heartbeat, mirror, privacy mask, flash log, password reset via email, pixel counter   |
| Heater                           | Yes   |
| Wiper                            | Yes   |
| <b>Approval</b>                  |   |
| EMC                              | FCC (47 CFR Part 15, Subpart B);<br>CE-EMC (EN 55032: 2015, EN 61000-3-2: 2019, EN 61000-3-3: 2013+A1: 2019, EN 50130-4: 2011+A1: 2014);<br>RCM (AS/NZS CISPR 32: 2015);<br>IC (ICES-003: Issue 7);<br>KC (KN32: 2015, KN35: 2015)  |
| Safety                           | UL (UL 62368-1);<br>CB (IEC 62368-1: 2014+A11);<br>CE-LVD (EN 62368-1: 2014/A11: 2017);<br>BIS (IS 13252 (Part 1): 2010/IEC 60950-1: 2005)  |
| Environment                      | CE-RoHS (2011/65/EU);<br>WEEE (2012/19/EU);<br>Reach (Regulation (EC) No 1907/2006)   |
| Protection                       | IP67 (IEC 60529-2013)   |
| Anti-Corrosion Protection        | NEMA 4X (NEMA 250-2018)<br>C5-M: 720H neutral salt spray, 480H water condensation;<br>Exterior environments: industrial areas with high humidity and aggressive atmosphere and coastal areas with high salinity;<br>Interior environments: buildings or areas with almost permanent condensation and with high pollution.                             |

### ▪ Available Model

DS-2XC6645G0-IZHRS (2.8 to 12 mm, 8 to 32 mm)

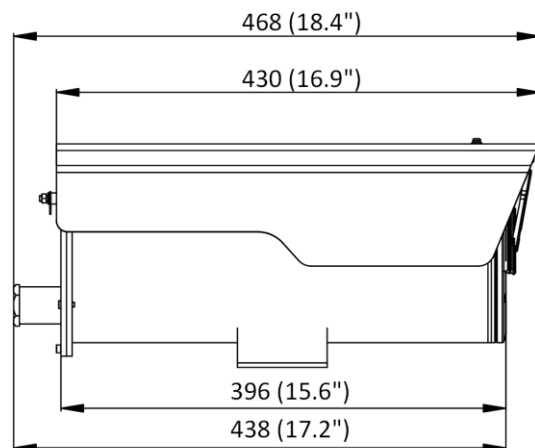
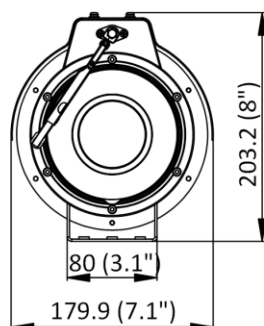
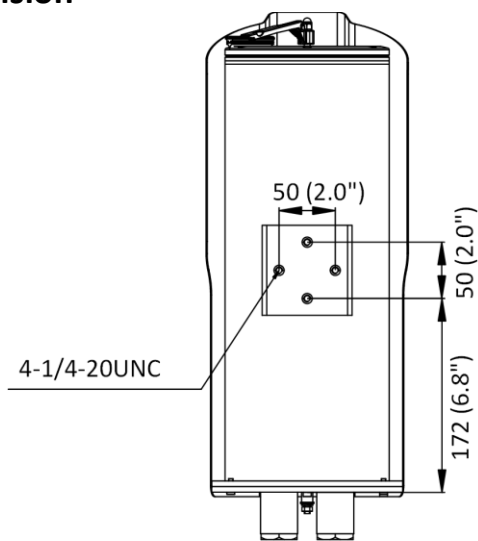
▪ **Typical Application**

Hikvision products are classified into three levels according to their anti-corrosion performance. Refer to the following description to choose for your using environment.

This model has TOP-LEVEL SPECIFIC PROTECTION.

| Level                  | Description  |
|------------------------|--|
| Top-level protection   | Hikvision products at this level are equipped for use in areas where professional anti-corrosion protection is a must. Typical application scenarios include coastlines, docks, chemical plants, and more.   |
| Moderate protection    | Hikvision products at this level are equipped for use in areas with moderate anti-corrosion demands. Typical application scenarios include coastal areas about 2 kilometers (1.24 miles) away from coastlines, as well as areas affected by acid rain. |
| No specific protection | Hikvision products at this level are equipped for use in areas where no specific anti-corrosion protection is needed.  |



▪ **Dimension**



Unit: mm (inch)

▪ **Accessory**

▪ **Optional**

| DS-1701ZJ-AC1(OS)<br>Wall Mount   | DS-1284ZJ-M-AC3(OS)<br>Junction Box   |
|---|---|
|  |  |

Distributed by



## HIKVISION®

**Headquarters**

No.555 Qianmo Road, Binjiang District,  
Hangzhou 310051, China  
T +86-571-8807-5998  
overseasbusiness@hikvision.com

**Hikvision USA**  
T +1-909-895-0400  
sales.usa@hikvision.com

**Hikvision Australia**  
T +61-2-8599-4233  
salesau@hikvision.com

**Hikvision India**  
T +91-22-28469900  
sales@pramahikvision.com

**Hikvision Canada**  
T +1-866-200-6690  
sales.canada@hikvision.com

**Hikvision Thailand**  
T +662-275-9949  
sales.thailand@hikvision.com

**Hikvision Europe**  
T +31-23-5542770  
sales.eu@hikvision.com

**Hikvision Italy**  
T +39-0438-6902  
info.it@hikvision.com

**Hikvision Brazil**  
T +55 11 3318-0050  
Latam.support@hikvision.com

**Hikvision Turkey**  
T +90 (216)521 7070- 7074  
sales.tr@hikvision.com

**Hikvision Malaysia**  
T +601-7652-2413  
sales.my@hikvision.com

**Hikvision UK & Ireland**  
T +01628-902140  
sales.uk@hikvision.com

**Hikvision South Africa**  
Tel: +27 (10) 0351172  
sale.africa@hikvision.com

**Hikvision France**  
T +33(0)1-85-330-450  
info.fr@hikvision.com

**Hikvision Kazakhstan**  
T +7-727-9730667  
nikia.panfilov@hikvision.ru

**Hikvision Vietnam**  
T +84-974270888  
sales.vt@hikvision.com

**Hikvision UAE**  
T +971-4-4432090  
salesme@hikvision.com

**Hikvision Singapore**  
T +65-6684-4718  
sg@hikvision.com

**Hikvision Spain**  
T +34-91-737-16-55  
info.es@hikvision.com

**Hikvision Tashkent**  
T +99-87-1238-9438  
uzb@hikvision.ru

**Hikvision Hong Kong**  
T +852-2151-1761  
info.hk@hikvision.com

**Hikvision Russia**  
T +7-495-669-67-99  
saleru@hikvision.com

**Hikvision Korea**  
T +82-(0)31-731-8817  
sales.korea@hikvision.com

**Hikvision Poland**  
T +48-22-460-01-50  
info.pl@hikvision.com

**Hikvision Indonesia**  
T +62-21-2933759  
Sales.Indonesia@hikvision.com

**Hikvision Colombia**  
sales.colombia@hikvision.com