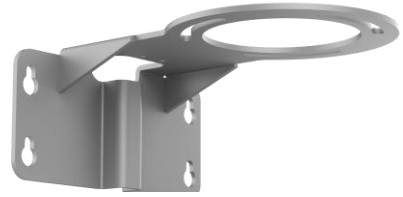


## DS-1705ZJ-DM35-Y3

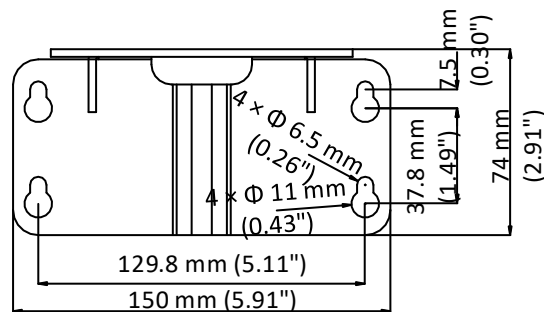
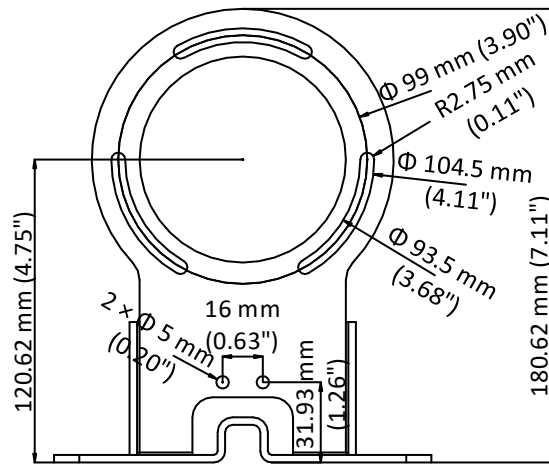
### Wall Mount



### Feature

- 316L Stainless steel with anticorrosive coating, silver moon grey appearance
- Suitable for indoor and outdoor installation

### Dimension



### Available Model

DS-1705ZJ-DM35-Y3(OS)

### Parameter

|            |   |
|------------|---|
| Model      | DS-1705ZJ-DM35-Y3(OS)                             |
| Parameters | Wall Mount  |
| Appearance | Silver moon grey                                  |
| Material   | Stainless steel 316L                              |
| Dimension  | 180.6 mm × 150 mm × 74 mm (7.11" × 5.91" × 2.91") |
| Weight     | Approx. 498 g (1.1 lb.)                           |

### Note

- The wall mount should be installed on a flat surface.
- Waterproof rubber is necessary for outdoor application.
- The wall should be capable of supporting at least 3 times as much as the total weight of the camera and the wall mount.
- The maximum load capacity of the wall mount is 3 kg (6.6 lb.).