

FlexiDome Corner Mount

VDA-CMT-Dome



BOSCH

en Installation manual

1 Safety

1.1 Safety precautions

**WARNING!**

Medium risk: Indicates a potentially hazardous situation.
If not avoided, this could result in minor or moderate bodily injury.

**CAUTION!**

Low risk: Indicates a potentially hazardous situation.
If not avoided, this could result in property damage or risk of damage to the unit.

1.2 Important safety instructions

Read, follow, and retain for future reference all of the following safety instructions. Heed all warnings on the unit and in the operating instructions before operating the unit.

1. **Safety check** - Safety checks should be performed upon completion of service or repairs to the unit to ensure proper operating condition.
2. **Installation** - Install in accordance with the manufacturer's instructions and in accordance with applicable local codes.
3. **Attachments, changes or modifications** - Only use attachments/accessories specified by the manufacturer. Any change or modification of the equipment, not expressly approved by Bosch, could void the warranty or, in the case of an authorization agreement, authority to operate the equipment.

1.3 Important notices



Disposal - Your Bosch product was developed and manufactured with high-quality material and components that can be recycled and reused. This symbol means that electronic and electrical appliances, which have reached the end of their working life, must be collected and disposed of separately from household waste material. Separate collecting systems are usually in place for disused electronic and electrical products. Please dispose of these units at an environmentally compatible recycling facility, per *European Directive 2002/96/EC*.

Environmental statement - Bosch has a strong commitment towards the environment. This unit has been designed to respect the environment as much as possible.

**WARNING!**

For a secure installation use stainless steel or zinc plated fasteners.

**CAUTION!**

If these mounts are used outdoors ensure that the equipment they are used with is also suitable for outdoor use.

More information

For more information please contact the nearest Bosch Security Systems location or visit www.boschsecurity.com

2 Unpacking

Unpack carefully and handle the equipment with care. The packaging contains:

- Mount
- Hardware kit

If equipment has been damaged during shipment, repack it in the original packaging and notify the shipping agent or supplier. The shipping carton is the safest container to transport the unit. Save it for possible future use.

3 Installation

This installation should be made by qualified service personnel and conform to the National Electrical Code and applicable local codes.

3.1 Installing the Corner Mount

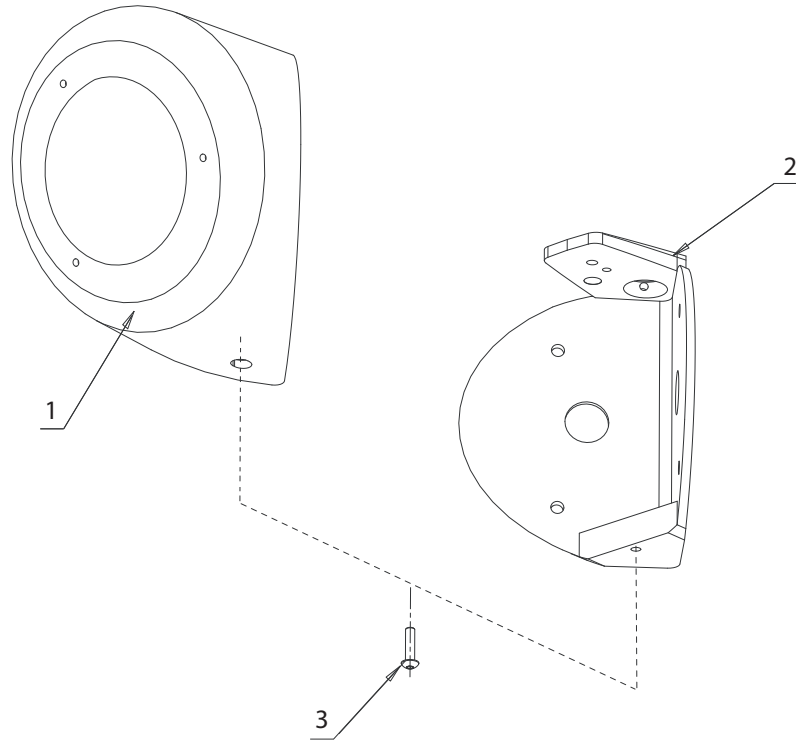


Figure 3.1 Corner Mount Disassembly

1	Front cover
2	Rear cover
3	Security screw

- Disassemble housing by releasing security screw [3] on bottom of unit using provided security wrench, then pull front cover [1] off rear cover [2].
- Determine location for corner mount.
- Using rear cover [2] of mount as template, mark location of mount holes on walls.
- Drill holes for anchors and install anchors into wall.
- Decide which conduit hole to use and plug remaining openings using two (2) plugs (provided with hardware kit). Secure conduit plug on top of unit by tightening set screw on back of rear cover [2]. This step must be performed before rear cover [2] is secured to wall. Use a 2.5 mm Hex Key (not supplied).
- If a side feed-through is chosen, mark hole using rear cover as template. Drill hole into wall. Use this hole to pull wires into bracket.
- Assemble rear cover [2] of mount to wall.
- Pull all wires from wall through feed-through hole.
- Assemble camera to front cover [1] and fix with three (3) M5 screws (supplied).
- Install the camera dome housing cover.
- Connect all wires to camera.
- Pull any excess wires back into mount.
- Slide front cover [1] onto rear cover [2] and secure with security screw [3].

3.2 Corner mount assembly

The figure below illustrates the corner mount assembly:

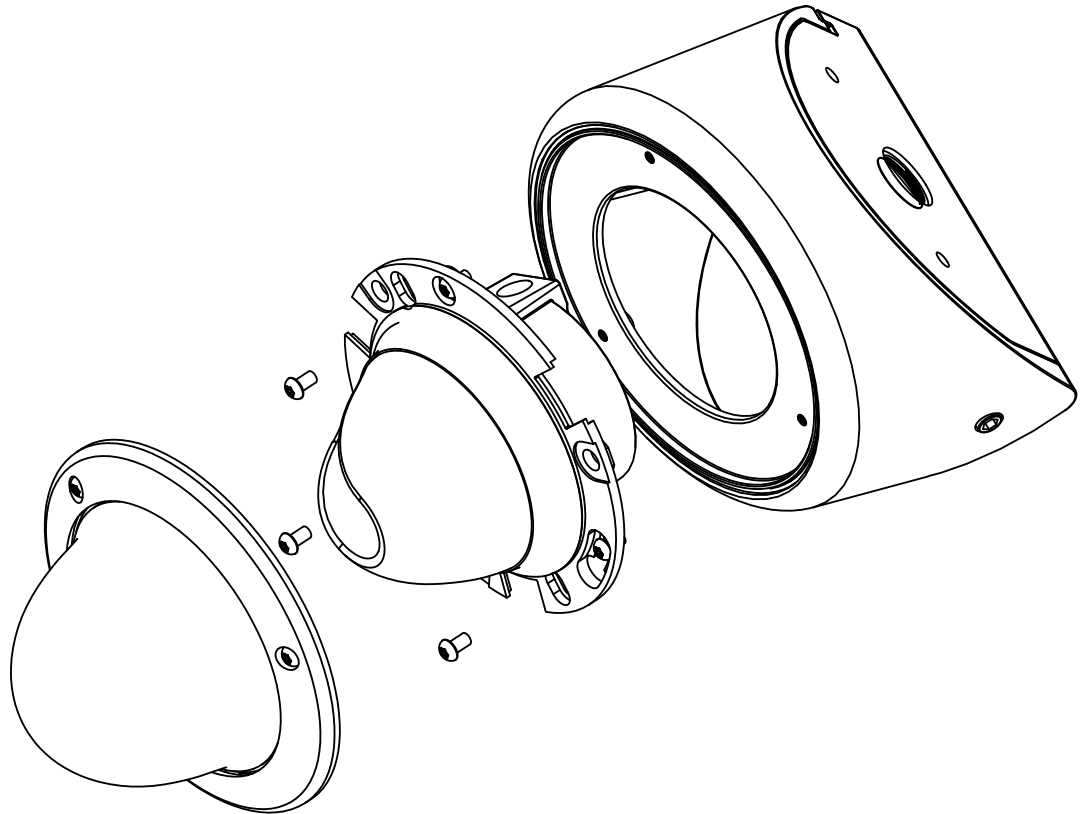


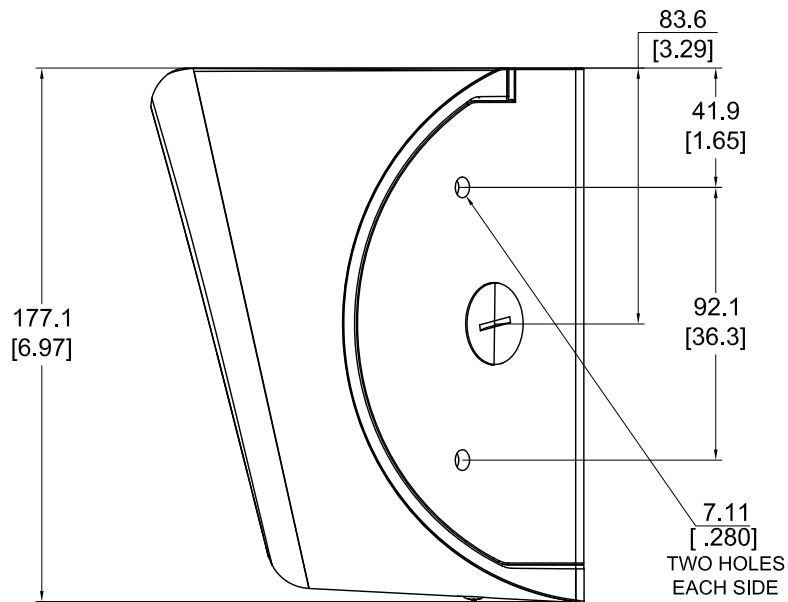
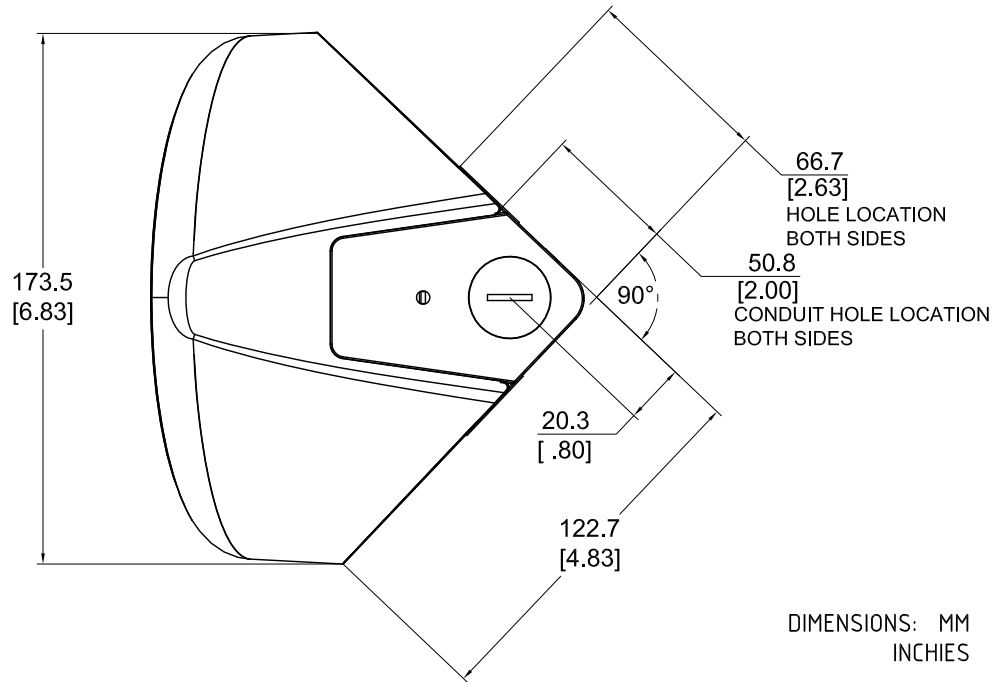
Figure 3.2 Corner mount assembly

Note:

The rear cover provides three $\frac{3}{4}$ -inch conduit openings. Install the $\frac{3}{4}$ -inch conduit fittings as needed for the installation.

4 Dimensional outlines

The following illustration depicts the dimensional outlines for the corner mount.



Corner Mount dimensions

Figure 4.1 VDA-CMT dimensions

Bosch Security Systems

www.boschsecurity.com

© Bosch Security Systems, 2011