

UPA Power Supplies/Transformers



- ▶ Provides efficient, constant power for CCD and MegaPixel cameras, keyboards and other low power usage products
- ▶ Meet or exceed International Energy Efficiency Level IV requirements
- ▶ Screw terminals for ease of installation on some models
- ▶ Safety agency certified

The Bosch UPA Series of Power Supplies is designed specifically for the continual use demands of professional surveillance products. While UPA models are used primarily with security cameras, their small size and high energy efficiency rating also make them ideal for powering a wide range of other low power security products, including many Allegiant® system accessories and control devices.

The UPA 60 Hz models are designed specifically to meet the strict efficiency standards and laws being adopted in the United States. These efficient power supplies meet or exceed the International Energy Efficiency Level IV requirements.

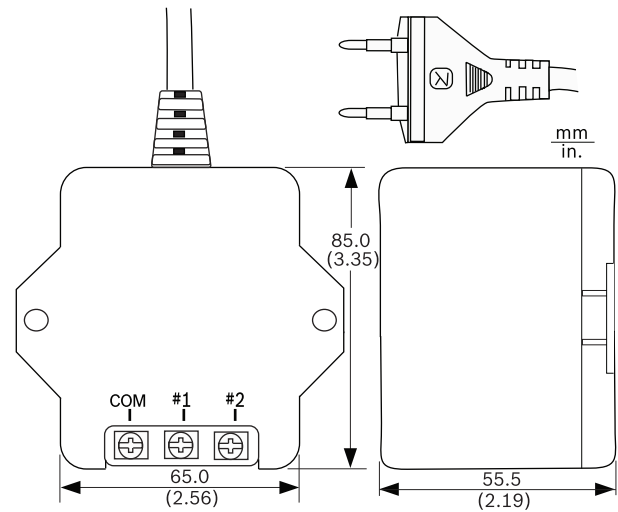
Regulatory information

| | |
|-------------------------------------|--|
| Electromagnetic Compatibility (EMC) | Complies with FCC Part 15, ICES-003, and CE regulations |
| Product Safety | Complies with CE regulations, UL, CSA, EN, and IEC standards |
| Energy Efficiency | Meets Energy Efficiency Level VI |

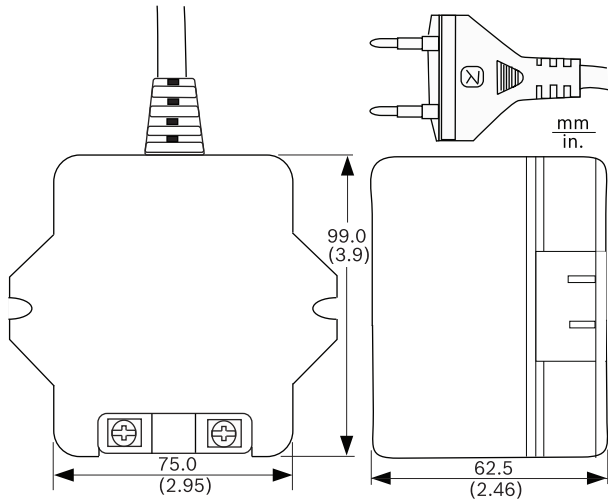
| Region | Regulatory compliance/quality marks | |
|--------|-------------------------------------|-----------------|
| Europe | CE | UPA-2450-50 |
| | CE | UPA-2420-50 |
| | CE | UPA-1220-50 DoC |

Installation/configuration notes

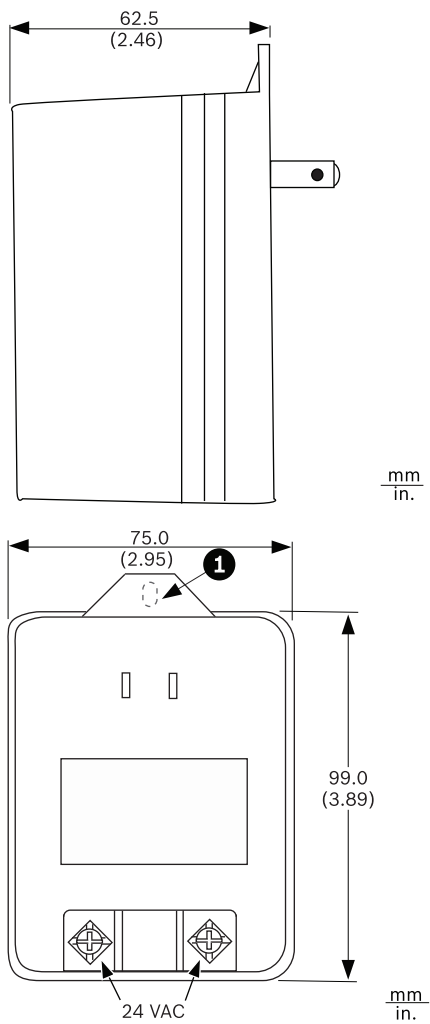
UPA-2420-50 Power Supply



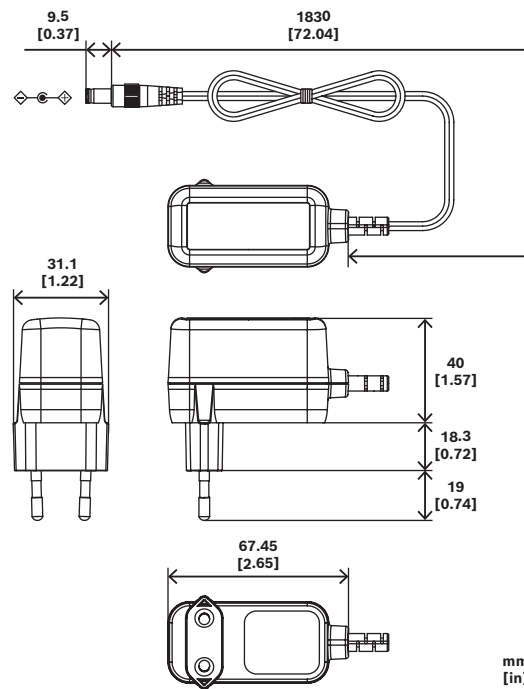
UPA-2450-50 Power Supply



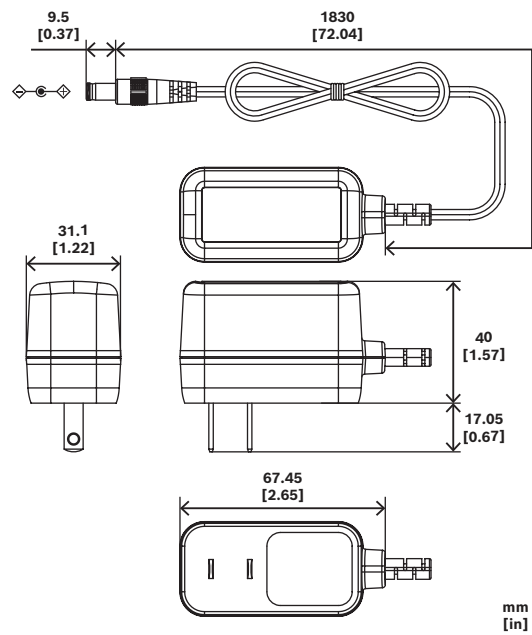
UPA-2450-60 Power Supply



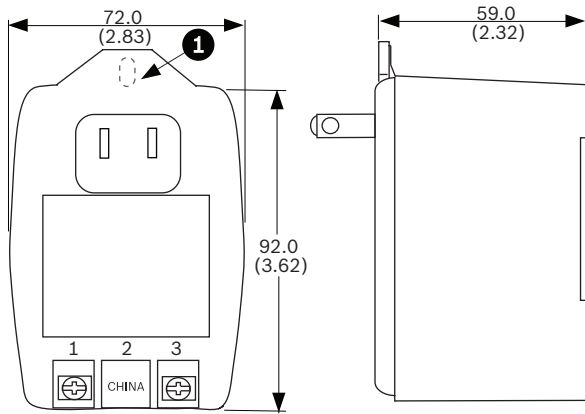
UPA-1220-50 Power Supply



UPA-1220-60 Power Supply



UPA-2430-60 Power Supply



mm
in.

Technical specifications

UPA-2420-50

Electrical

| | UPA-2420-50 PSU, 220VAC 50Hz, 24VAC 20VA out |
|-------------------------|---|
| Input voltage (VAC) | 220 VAC – 240 VAC |
| Output voltage (VDC) | 24 VDC |
| Power frequency | 50 Hz |
| Input current (A) | 0.30 A |
| Inrush current (A) | 60 A |
| Power consumption (VA) | 20 VA |
| Power consumption (W) | 4 W |
| Output voltage accuracy | 24 V |

Mechanical

| | UPA-2420-50 PSU, 220VAC 50Hz, 24VAC 20VA out |
|-----------------------------|---|
| Input Connectors | 2-prong, European Europlug standard (4 mm / 19 mm) |
| Output Connectors | Three (3) screw terminals |
| Color | Black |
| Material | Plastic |
| Dimensions (H x W x D) (cm) | 6.50 cm x 55.50 cm x 8.50 cm |
| Dimensions (H x W x D) (in) | 2.56 in x 2.19 in x 3.35 in |

| | UPA-2420-50 PSU, 220VAC 50Hz, 24VAC 20VA out |
|-----------------------------|---|
| Dimensions (H x W x D) (mm) | 65 mm x 55.50 mm x 85 mm |
| Weight (kg) | 78 kg |
| Weight (lb) | 1.72 lb |
| Recommended Use | Medium power box cameras |

Environmental

| | UPA-2420-50 PSU, 220VAC 50Hz, 24VAC 20VA out |
|---|---|
| Operating temperature (°C) | -10 °C – 40 °C |
| Operating temperature (°F) | 14 °F – 104 °F |
| Storage temperature (°C) | -30 °C – 80 °C |
| Storage temperature (°F) | -22 °F – 176 °F |
| Operating relative humidity, non-condensing (%) | 30% – 85% |
| Cold start temperature (°C) | 25 °C |
| Cold start temperature (°F) | 77 °F |
| Vibration | IEC 60068-2-6 NEMA TS2 Section 2.2.8 |

UPA-2450-60

Electrical

| | UPA-2450-60 PSU, 120VAC 60Hz, 24VAC 50VA out |
|--|---|
| Input voltage (VAC) | 120 VAC |
| Output voltage (VDC) | 24 VDC |
| Power frequency | 60 Hz |
| Input current (A) | 1 A |
| Inrush current (A) | 60 A |
| Power consumption VAC (VA) (typical – maximum) | 115 VA – 230 VA |
| Power consumption (W) | 0.50 W |
| Output voltage accuracy | |

Mechanical

| | UPA-2450-60 PSU, 120VAC 60Hz, 24VAC 50VA out |
|-----------------------------|---|
| Input Connectors | 2-prong, North American standard (non-polarized) |
| Output Connectors | Two (2) screw terminals |
| Color | Black |
| Material | Plastic |
| Dimensions (H x W x D) (cm) | 7.50 cm x 0.65 cm x 9.90 cm |
| Dimensions (H x W x D) (in) | 2.95 in x 2.46 in x 3.89 in |
| Dimensions (H x W x D) (mm) | 75 mm x 62.50 mm x 99 mm |
| Weight (kg) | 0.84 kg |
| Weight (lb) | 1.86 lb |
| Recommended Use | Bosch KBE Series pre-package cameras |

Environmental

| | UPA-2450-60 PSU, 120VAC 60Hz, 24VAC 50VA out |
|---|---|
| Operating temperature (°C) | -10 °C – 30 °C |
| Operating temperature (°F) | 14 °F – 86 °F |
| Storage temperature (°C) | -20 °C – 80 °C |
| Storage temperature (°F) | -4 °F – 176 °F |
| Operating relative humidity, non-condensing (%) | 30% – 85% |
| Cold start temperature (°C) | 25 °C |
| Cold start temperature (°F) | 77 °F |
| Vibration | IEC 60068-2-6 NEMA TS2 Section 2.2.8 |

UPA-2450-50**Electrical**

| | UPA-2450-50 PSU, 220VAC 50Hz, 24VAC 50VA out |
|----------------------|---|
| Input voltage (VAC) | 230 VAC |
| Output voltage (VDC) | 24 VDC |
| Power frequency | 50 Hz |

| | UPA-2450-50 PSU, 220VAC 50Hz, 24VAC 50VA out |
|-------------------------|---|
| Input current (A) | 2 A |
| Inrush current (A) | 60 A |
| Power consumption (VA) | 50 VA |
| Power consumption (W) | 5 W |
| Output voltage accuracy | 26.36 V |

Mechanical

| | UPA-2450-50 PSU, 220VAC 50Hz, 24VAC 50VA out |
|-----------------------------|---|
| Input Connectors | 2-prong, European Europlug standard (4 mm / 19 mm) |
| Output Connectors | Two (2) screw terminals |
| Color | Black |
| Material | Plastic |
| Dimensions (H x W x D) (cm) | 7.50 cm x 6.25 cm x 9.90 cm |
| Dimensions (H x W x D) (in) | 2.95 in x 2.46 in x 3.90 in |
| Dimensions (H x W x D) (mm) | 75 mm x 62.50 mm x 99 mm |
| Weight (kg) | 1.16 kg |
| Weight (lb) | 2.56 lb |
| Recommended Use | Bosch KBE Series pre-packaged camera |

Environmental

| | UPA-2450-50 PSU, 220VAC 50Hz, 24VAC 50VA out |
|---|---|
| Operating temperature (°C) | -10 °C – 30 °C |
| Operating temperature (°F) | 14 °F – 86 °F |
| Storage temperature (°C) | -20 °C – 80 °C |
| Storage temperature (°F) | -4 °F – 176 °F |
| Operating relative humidity, non-condensing (%) | 30% – 85% |
| Cold start temperature (°C) | 25 °C |
| Cold start temperature (°F) | 77 °F |

| | UPA-2450-50 PSU, 220VAC 50Hz, 24VAC 50VA out |
|-----------|---|
| Vibration | IEC 60068-2-6 NEMA TS2 Section 2.2.8 |

UPA-1220-60**Electrical**

| | UPA-1220-60 Power supply, 120VAC 60Hz, 12VDC 1A out |
|--|--|
| Input voltage (VAC) | 100 VAC – 240 VAC |
| Output voltage (VDC) | 12 VDC (1.0 A, regulated) |
| Power frequency | 50 Hz; 60 Hz |
| Input current (A) | 0.30 A |
| Inrush current (A) | 60 A |
| Power consumption VAC (VA) (typical – maximum) | 115 VA – 230 VA |
| Power consumption (W) | 0.10 W |
| Output voltage accuracy | 11.4-12.6 V |

Mechanical

| | UPA-1220-60 Power supply, 120VAC 60Hz, 12VDC 1A out |
|-----------------------------|--|
| Input Connectors | 2-prong, North American standard (non-polarized) |
| Output Connectors | 2.1 x 5.5 x 9.5 mm plug (0.8 x 0.22 x 0.37 in.) |
| Color | Black |
| Material | Plastic |
| Dimensions (H x W x D) (cm) | 6 cm x 3.10 cm x 4 cm |
| Dimensions (H x W x D) (in) | 2.36 in x 1.22 in x 1.57 in |
| Dimensions (H x W x D) (mm) | 60 mm x 31 mm x 40 mm |
| Weight (kg) | 0.12 kg |
| Weight (lb) | 0.26 lb |
| Recommended Use | Bosch megapixel cameras |

Environmental

| | UPA-1220-60 Power supply, 120VAC 60Hz, 12VDC 1A out |
|---|--|
| Operating temperature (°C) | 0 °C – 40 °C |
| Operating temperature (°F) | 32 °F – 104 °F |
| Storage temperature (°C) | -20 °C – 85 °C |
| Storage temperature (°F) | -4 °F – 185 °F |
| Operating relative humidity, non-condensing (%) | 20% – 90% |
| Cold start temperature (°C) | 25 °C |
| Cold start temperature (°F) | 77 °F |
| Vibration | IEC 60068-2-6 NEMA TS2 Section 2.2.8 |

UPA-1220-50**Electrical**

| | UPA-1220-50 Power supply, 220VAC 50Hz, 12VDC 1A out |
|--|--|
| Input voltage (VAC) | 100 VAC – 240 VAC |
| Output voltage (VDC) | 12 VDC (1.0 A, regulated) |
| Power frequency | 50 Hz; 60 Hz |
| Input current (A) | 0.30 A |
| Inrush current (A) | 60 A |
| Power consumption (W) | 0.10 W |
| Power consumption VAC (VA) (typical – maximum) | 115 VA – 230 VA |
| Output voltage accuracy | 11.4-12.6 V |

Mechanical

| | UPA-1220-50 Power supply, 220VAC 50Hz, 12VDC 1A out |
|-------------------|--|
| Input Connectors | 2-prong, European Europlug standard (4 mm / 19 mm) |
| Output Connectors | 2.1 x 5.5 x 9.5 mm plug (0.8 x 0.22 x 0.37 in.) |
| Color | Black |
| Material | Plastic |

| | UPA-1220-50 Power supply, 220VAC 50Hz, 12VDC 1A out |
|-----------------------------|--|
| Dimensions (H x W x D) (cm) | 6 cm x 3.50 cm x 4 cm |
| Dimensions (H x W x D) (in) | 2.36 in x 1.38 in x 1.57 in |
| Dimensions (H x W x D) (mm) | 60 mm x 35 mm x 40 mm |
| Weight (kg) | 0.12 kg |
| Weight (lb) | 0.26 lb |
| Recommended Use | Bosch megapixel cameras |

Environmental

| | UPA-1220-50 Power supply, 220VAC 50Hz, 12VDC 1A out |
|---|--|
| Operating temperature (°C) | 0 °C – 40 °C |
| Operating temperature (°F) | 32 °F – 104 °F |
| Storage temperature (°C) | -20 °C – 85 °C |
| Storage temperature (°F) | -4 °F – 185 °F |
| Operating relative humidity, non-condensing (%) | 20% – 90% |
| Cold start temperature (°C) | 25 °C |
| Cold start temperature (°F) | 77 °F |
| Vibration | IEC 60068-2-6 NEMA TS2 Section 2.2.8 |

UPA-2430-60

Electrical

| | UPA-2430-60 PSU, 120VAC,60Hz, 24VAC, 30VA out |
|-------------------------|--|
| Input voltage (VAC) | 120 VAC |
| Output voltage (VDC) | 24 VDC |
| Power frequency | 60 Hz |
| Input current (A) | 1.25 A |
| Inrush current (A) | 60 A |
| Power consumption (VA) | 30 VA |
| Power consumption (W) | |
| Output voltage accuracy | |

Mechanical

| | UPA-2430-60 PSU, 120VAC,60Hz, 24VAC, 30VA out |
|-----------------------------|--|
| Input Connectors | 2-prong, North American standard (non-polarized) |
| Output Connectors | Two (2) screw terminals |
| Color | Black |
| Material | Plastic |
| Dimensions (H x W x D) (cm) | 6.65 cm x 5.65 cm x 9.15 cm |
| Dimensions (H x W x D) (in) | 2.62 in x 2.22 in x 3.60 in |
| Dimensions (H x W x D) (mm) | 66.50 mm x 56.50 mm x 91.50 mm |
| Weight (kg) | 0.58 kg |
| Weight (lb) | 1.28 lb |
| Recommended Use | Medium power box cameras |

Environmental

| | UPA-2430-60 PSU, 120VAC,60Hz, 24VAC, 30VA out |
|---|--|
| Operating temperature (°C) | -10 °C – 40 °C |
| Operating temperature (°F) | 14 °F – 104 °F |
| Storage temperature (°C) | -30 °C – 80 °C |
| Storage temperature (°F) | -22 °F – 176 °F |
| Operating relative humidity, non-condensing (%) | 30% – 85% |
| Cold start temperature (°C) | 25 °C |
| Cold start temperature (°F) | 77 °F |
| Vibration | IEC 60068-2-6 NEMA TS2 Section 2.2.8 |

Ordering information

UPA-2420-50 PSU, 220VAC 50Hz, 24VAC 20VA out

Power supply unit for cameras.

Order number **UPA-2420-50 | F.01U.076.160**

UPA-2450-50 PSU, 220VAC 50Hz, 24VAC 50VA out

Indoor power supply for camera. 220 VAC, 50 Hz in; 24 VAC, 50 VA out

Order number **UPA-2450-50 | F.01U.076.157**

UPA-2450-60 PSU, 120VAC 60Hz, 24VAC 50VA out

Indoor power supply for camera. 120 VAC, 60 Hz In;
24 VAC, 50 VA Out

Order number **UPA-2450-60 | F.01U.076.154**

UPA-1220-50 Power supply, 220VAC 50Hz, 12VDC 1A out

Power supply for camera. 100-240 VAC, 50/60 Hz In;
12 VDC, 1 A Out; regulated.

Input connector: 2-prong, European Europlug standard
(4 mm / 19 mm).

Order number **UPA-1220-50 | F.01U.076.158**

UPA-1220-60 Power supply, 120VAC 60Hz,12VDC 1A out

Power supply for camera. 100-240 VAC, 50/60 Hz In;
12 VDC, 1 A Out; regulated.

Input connector: 2-prong, North American standard (non-
polarized).

Order number **UPA-1220-60 | F.01U.076.155**

UPA-2430-60 PSU, 120VAC,60Hz, 24VAC, 30VA out

Power supply unit for cameras.

Order number **UPA-2430-60 | F.01U.075.079**

Represented by:**Europe, Middle East, Africa:**

Bosch Security Systems B.V.
P.O. Box 80002
5600 JB Eindhoven, The Netherlands
Phone: + 31 40 2577 284
www.boschsecurity.com/xc/en/contact/
www.boschsecurity.com

Germany:

Bosch Sicherheitssysteme GmbH
Robert-Bosch-Ring 5
85630 Grasbrunn
Tel.: +49 (0)89 6290 0
Fax:+49 (0)89 6290 1020
de.securitysystems@bosch.com
www.boschsecurity.com

North America:

Bosch Security Systems, LLC
130 Perinton Parkway
Fairport, New York, 14450, USA
Phone: +1 800 289 0096
Fax: +1 585 223 9180
onlinehelp@us.bosch.com
www.boschsecurity.com

Asia-Pacific:

Robert Bosch (SEA) Pte Ltd, Security Systems
11 Bishan Street 21
Singapore 573943
Phone: +65 6571 2808
Fax: +65 6571 2699
www.boschsecurity.com/xc/en/contact/
www.boschsecurity.com