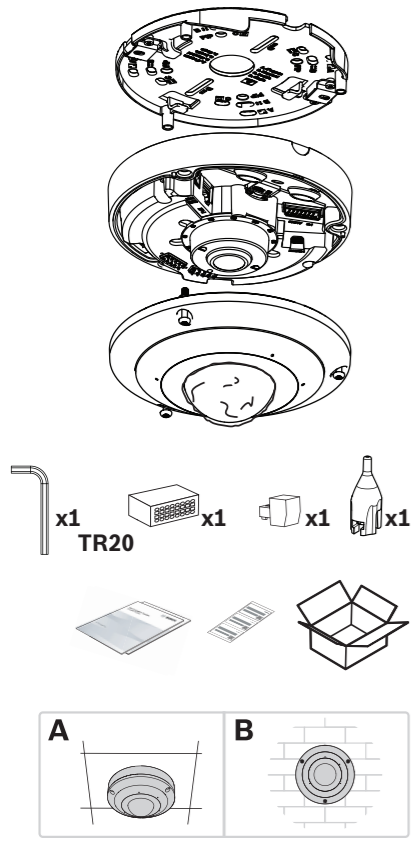
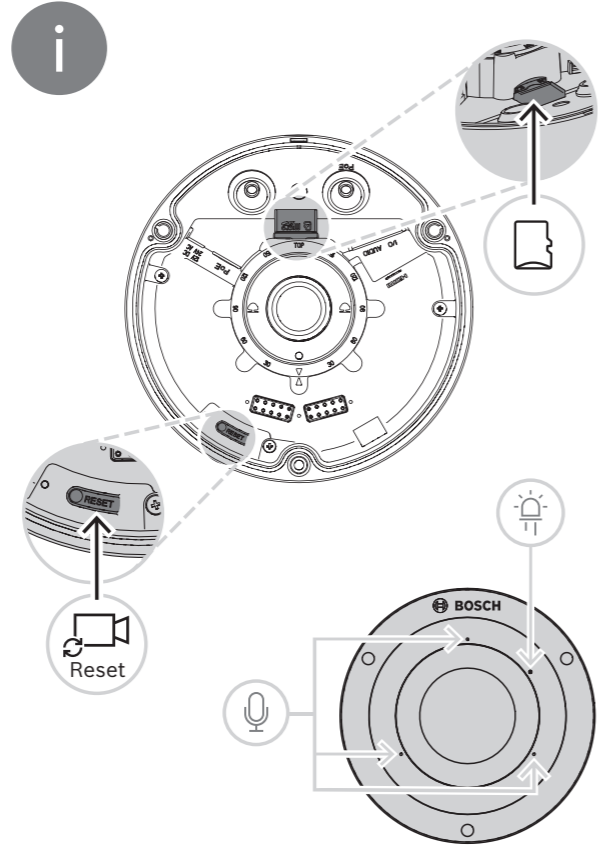


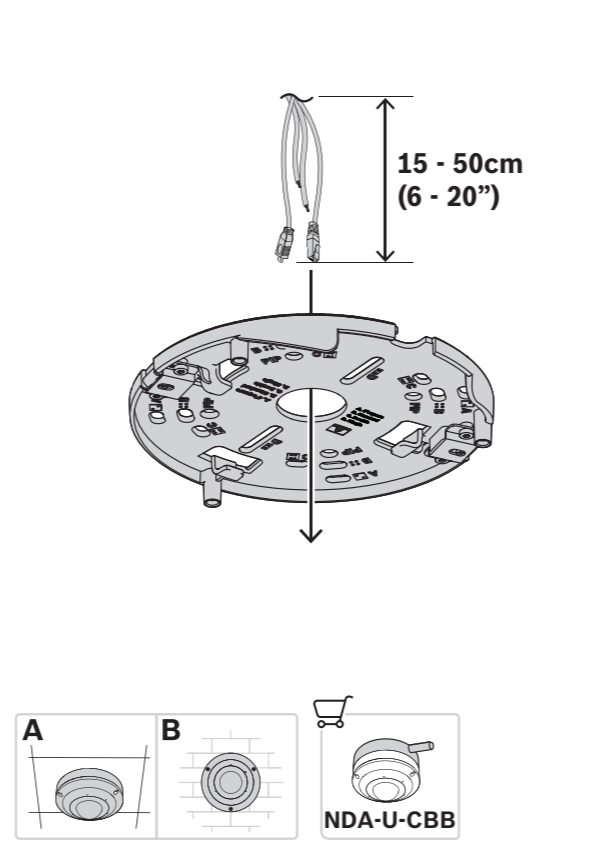
1 |



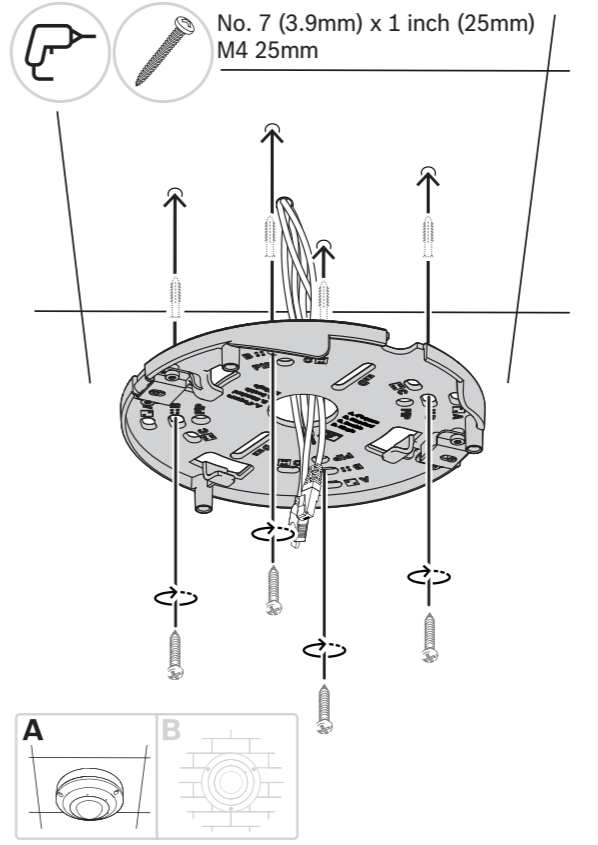
2 |



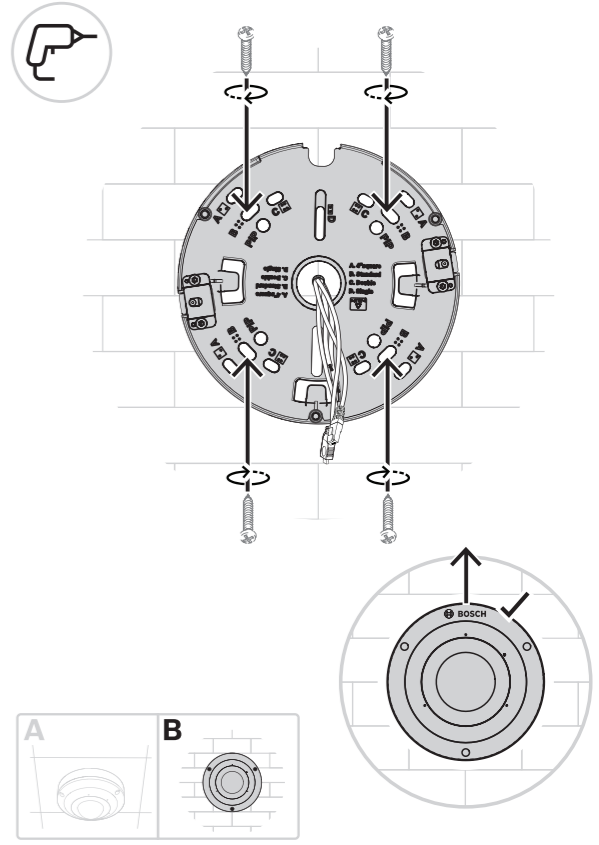
3 |



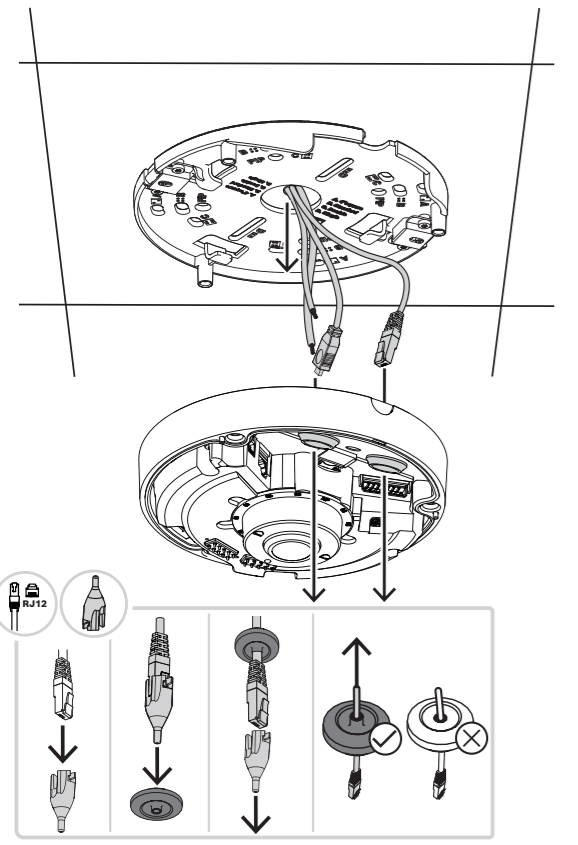
4 |



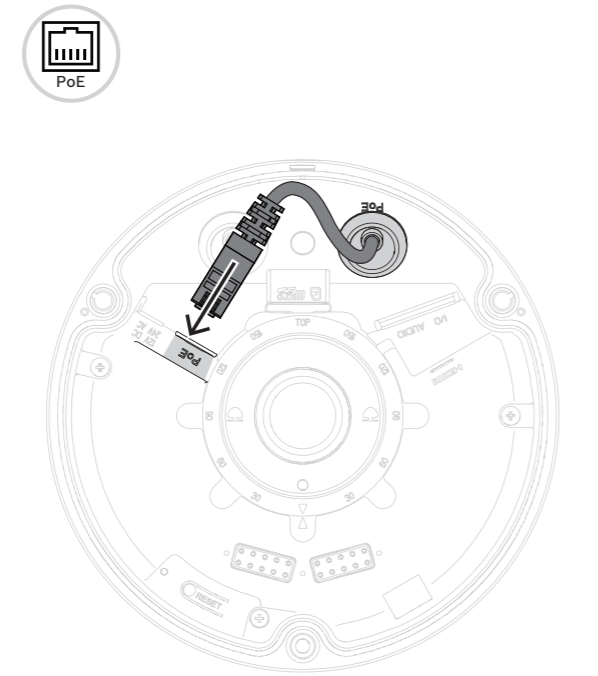
5 |



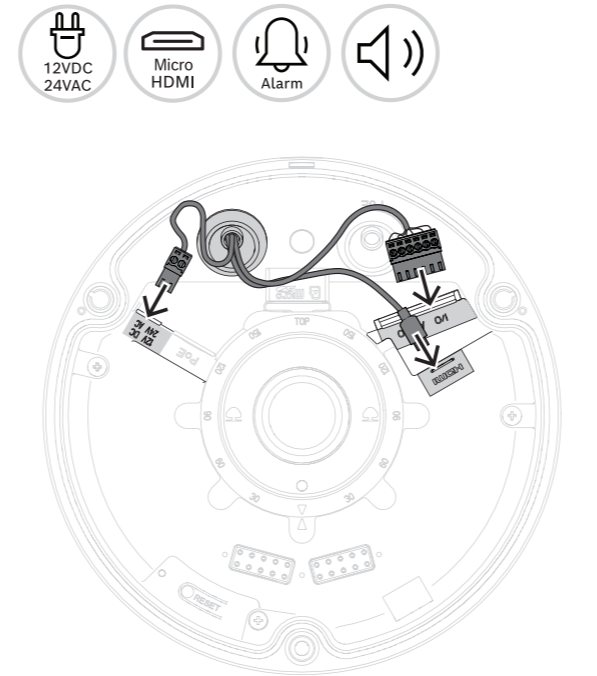
6 |



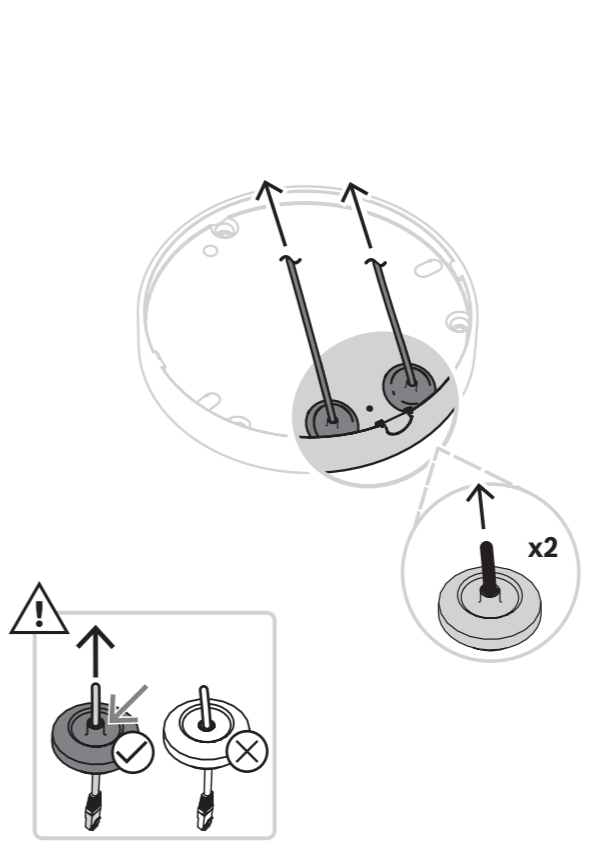
7 |



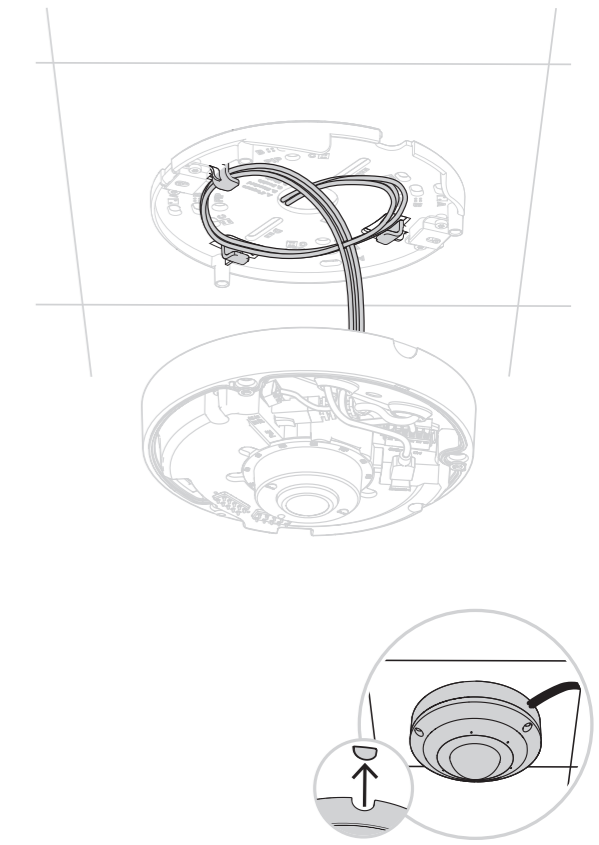
8 |



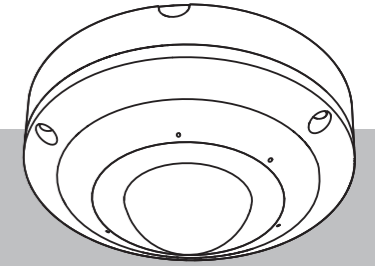
9 |



10 |



**FLEXIDOME panoramic 5100i IR**  
NDS-5703-F360LE | NDS-5704-F360LE |  
NDS-5703-F360LE-GOV | NDS-5704-F360LE-GOV

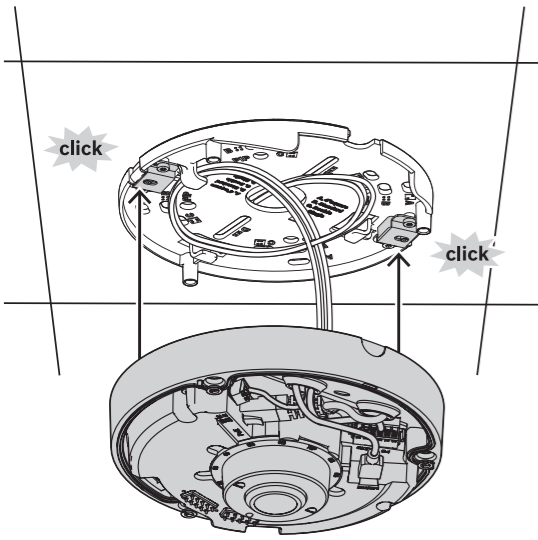


en Quick installation guide

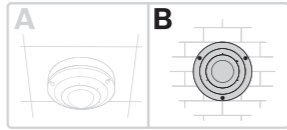
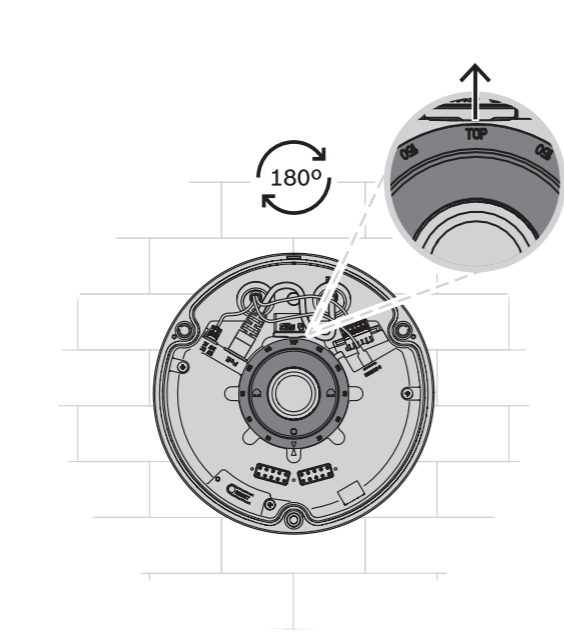
**Bosch Security Systems B.V.**  
Torenallee 49  
5617 BA Eindhoven  
Netherlands  
[www.boschsecurity.com](http://www.boschsecurity.com)  
© Bosch Security Systems B.V., 2021

**Building solutions for a better life.**

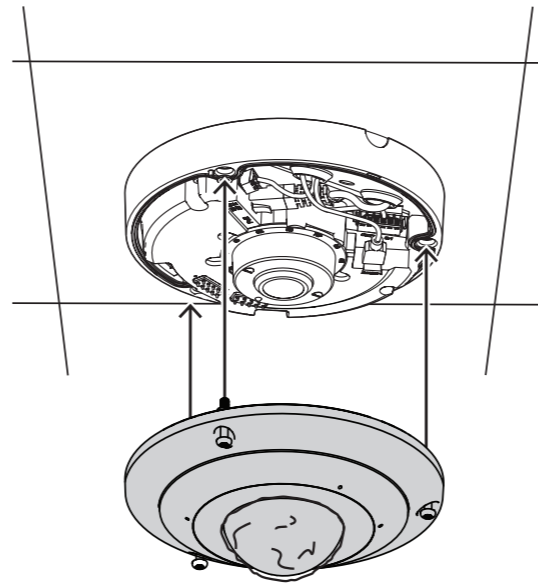
11 |



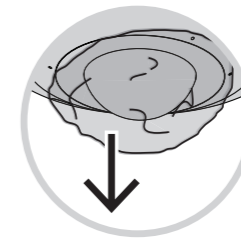
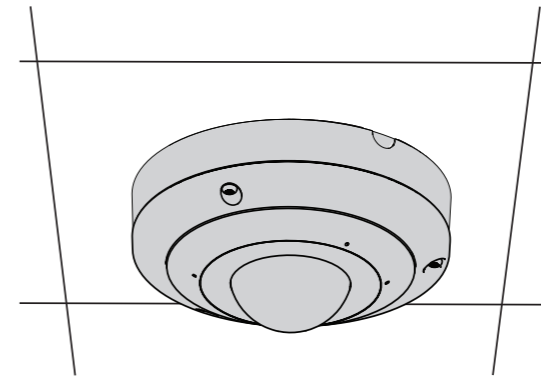
12 |



13 |

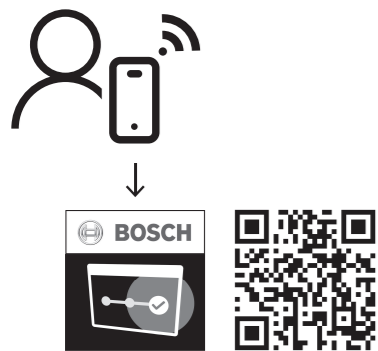


14 |



15 |

**Project Assistant app**  
Windows | iOS | Android



<https://downloadstore.boschsecurity.com/>