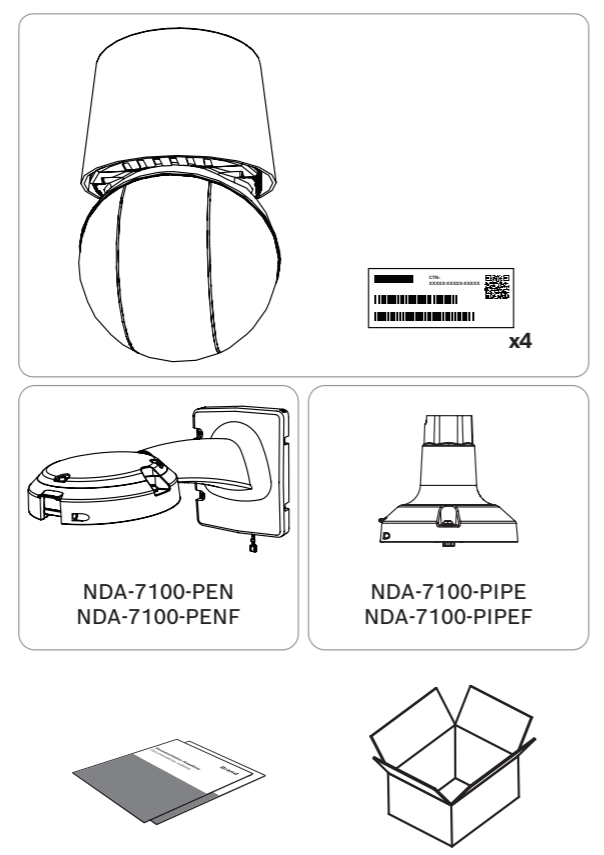


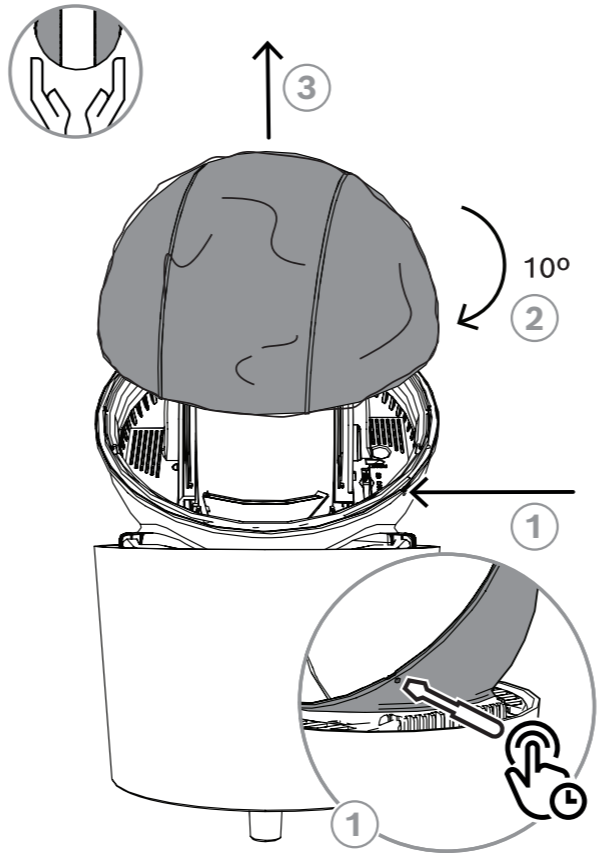
1 |

This manual is applicable to these products.
 Dieses Handbuch gilt für diese Produkte.
 Ce manual s'applique à ces produits.
 Este manual es aplicable a estos productos.
 本手册适用于这些产品。
 NDP-7602-Z40
 NDP-7602-Z40L
 NDP-7604-Z12L
 NDA-7100-PEN
 NDA-7100-PENF
 NDA-7100-PIPE
 NDA-7100-PIPEF
 NDA-PEND-WPLATE

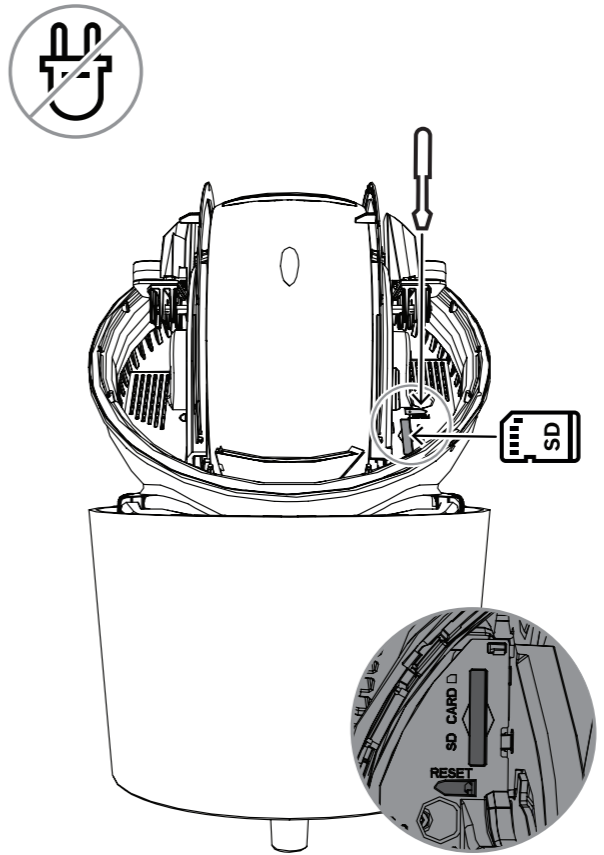
2 |



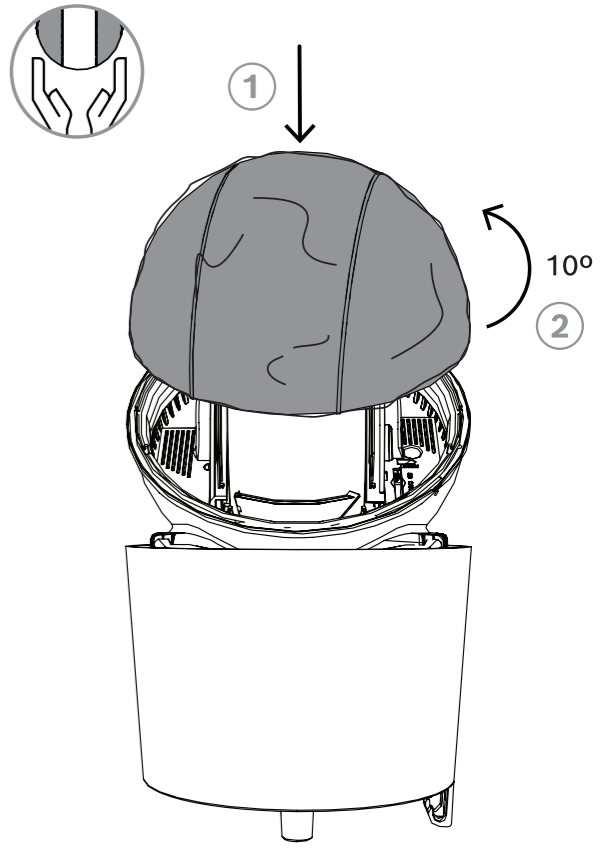
3 |



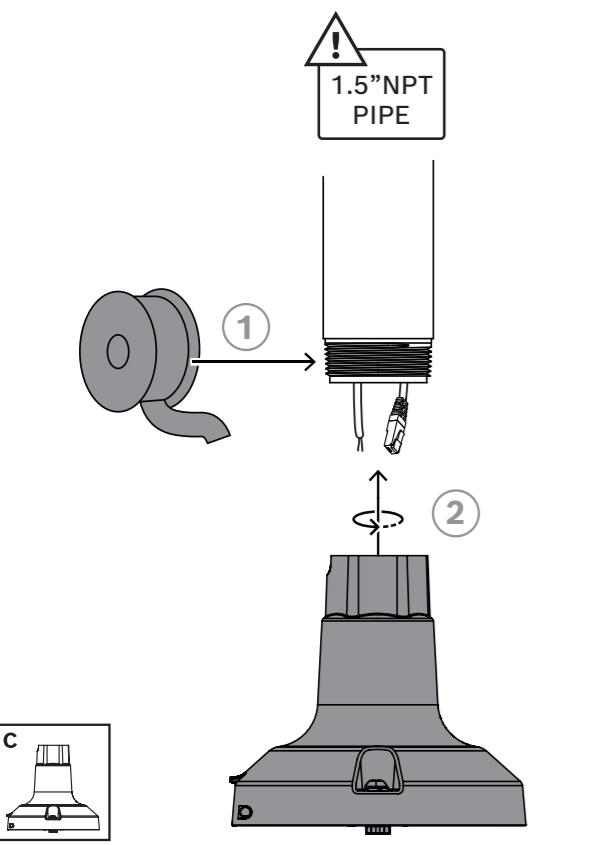
4 |



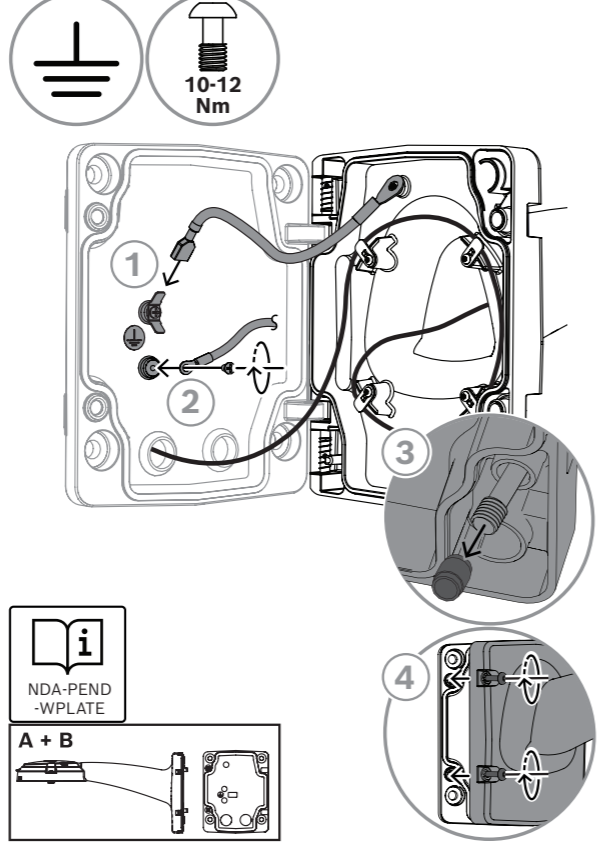
5 |



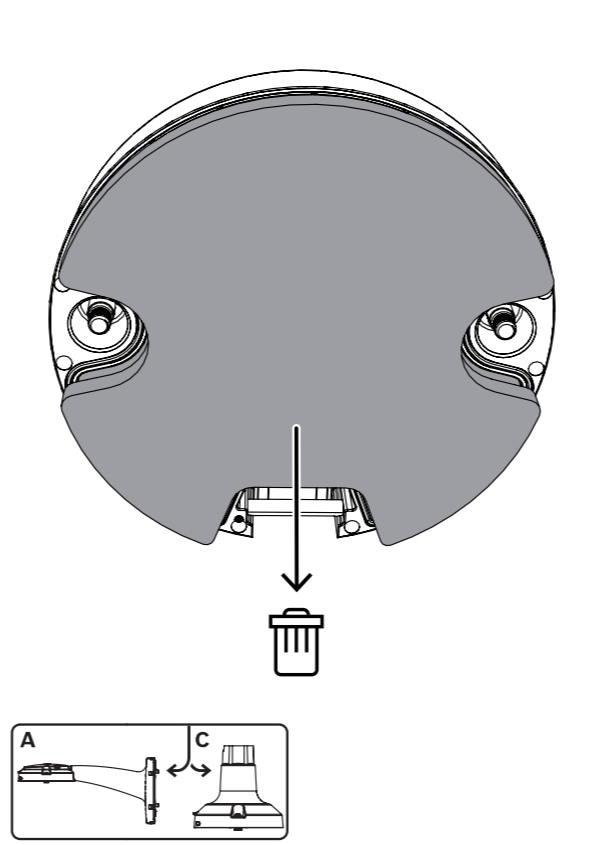
6 |



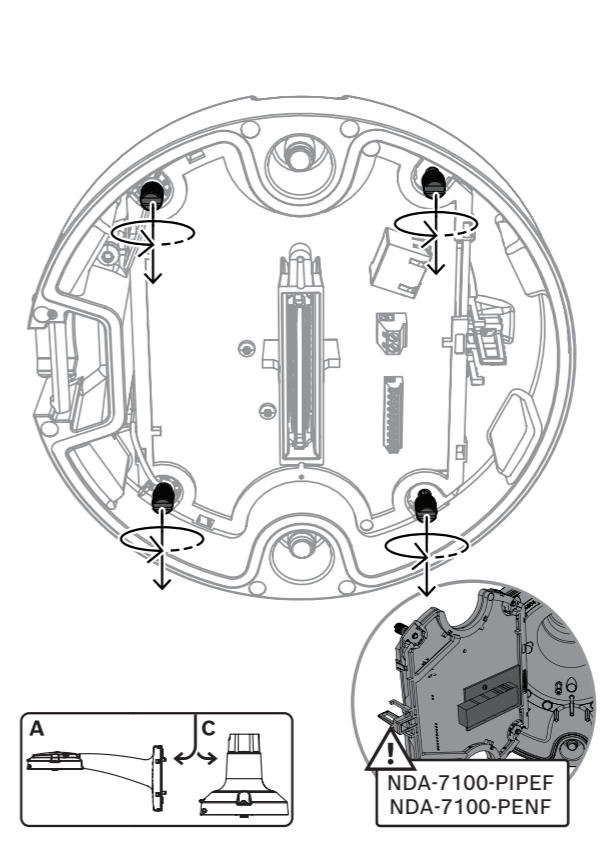
7 |



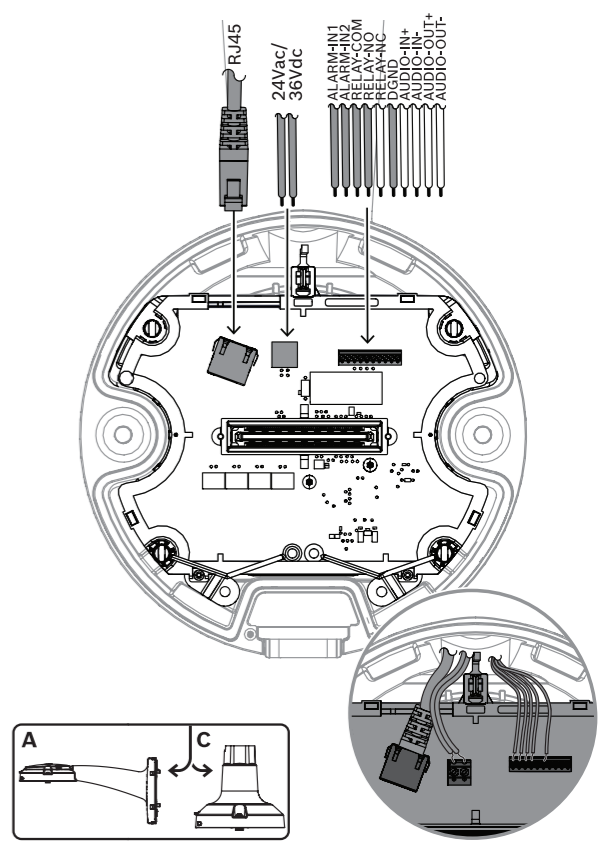
8 |

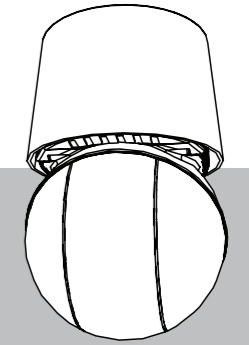


9 |



10 |



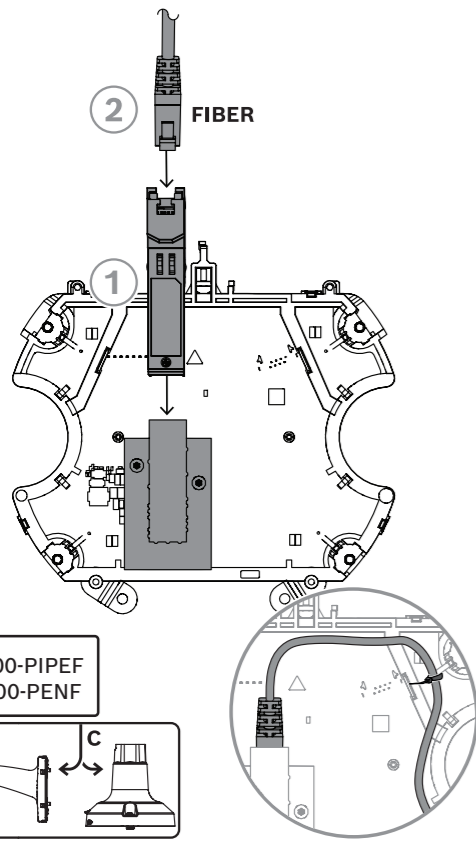


en Quick installation guide

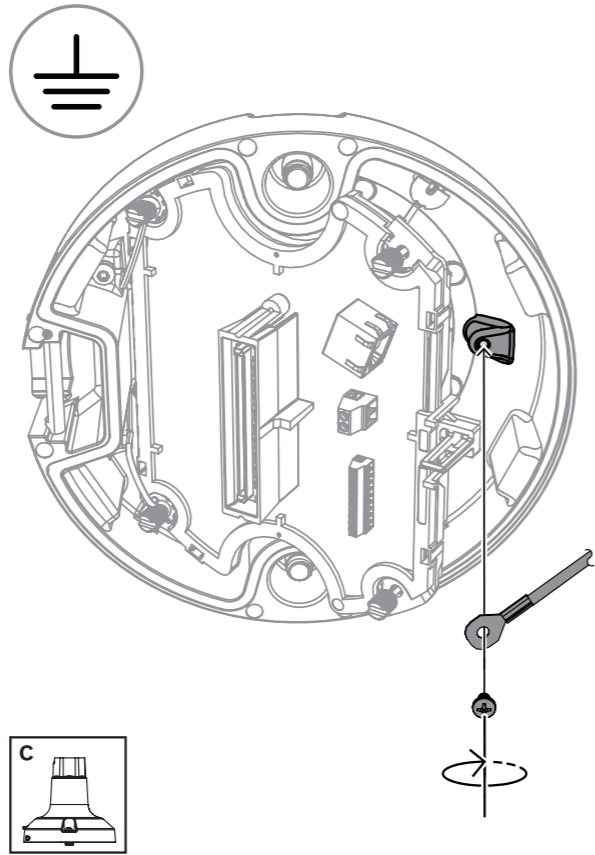
Bosch Security Systems B.V.
 Torenallee 49
 5617 BA Eindhoven
 Netherlands
www.boschsecurity.com
 © Bosch Security Systems B.V., 2022

Building solutions for a better life.

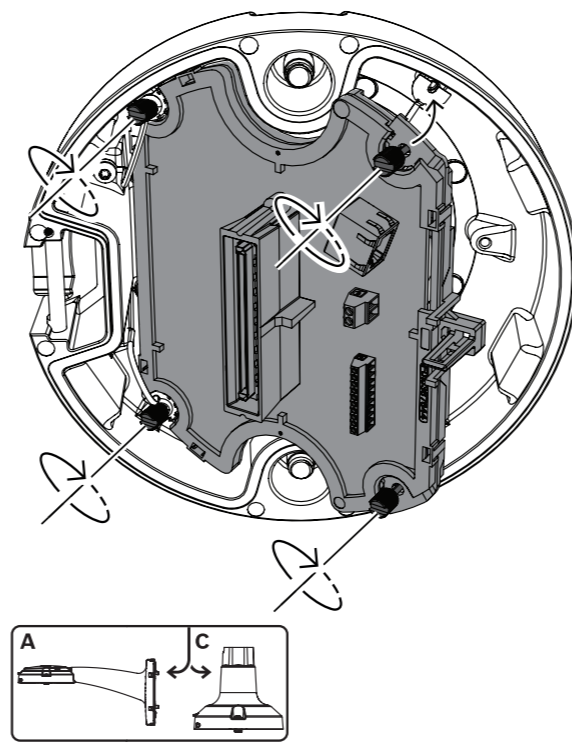
11 |



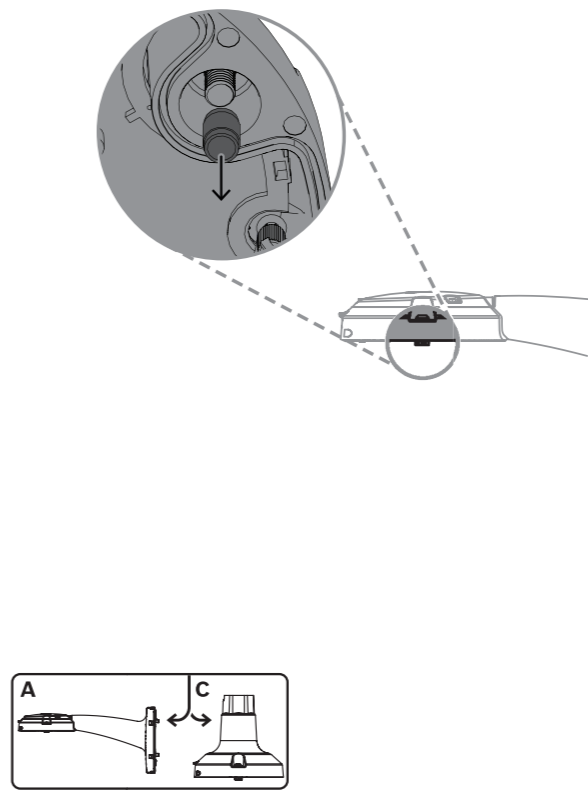
12 |



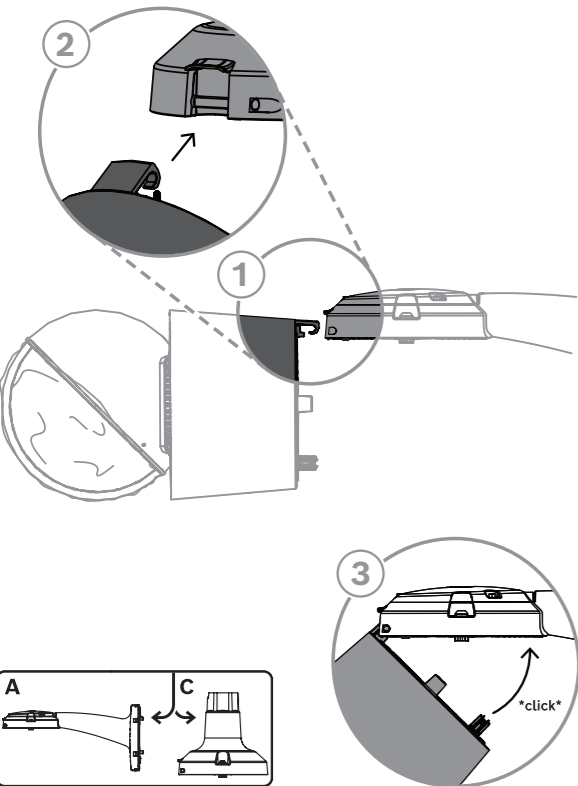
13 |



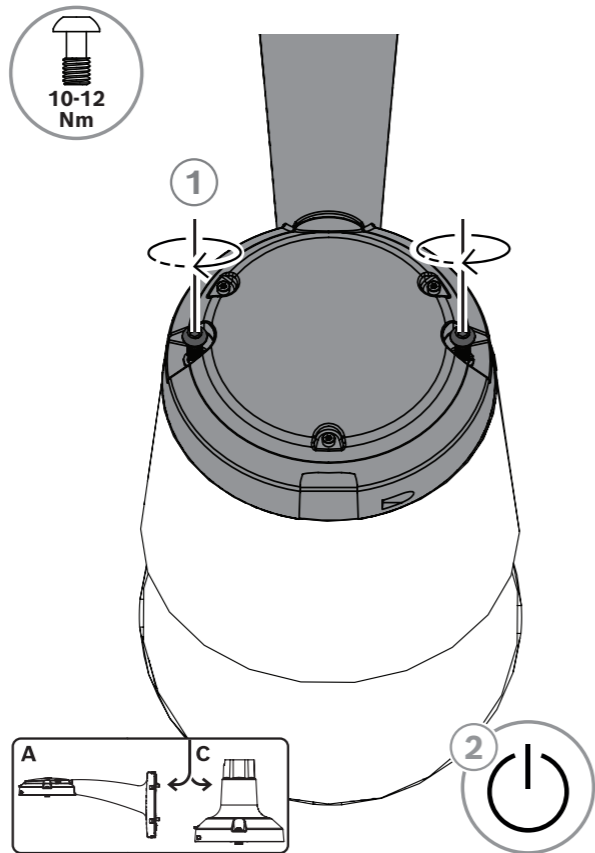
14 |



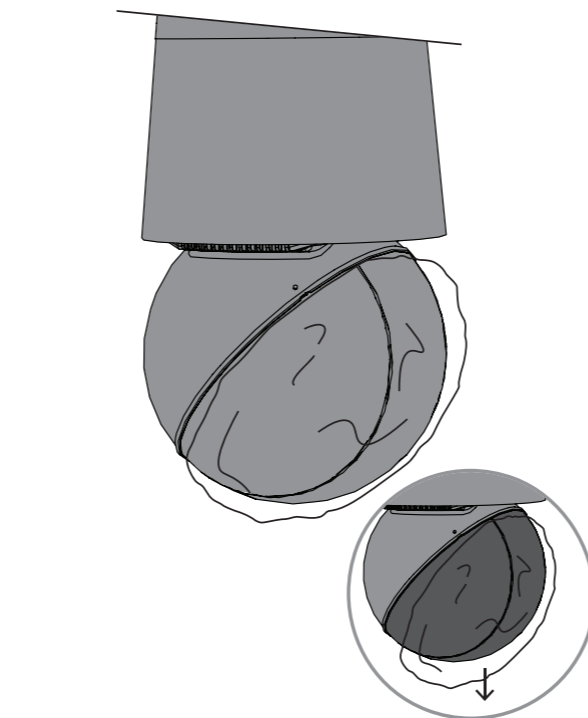
15 |



16 |



17 |



18 |

View & Configure



<http://downloadstore.boschsecurity.com/>

↓ ↓ ↓

BVMS Viewer	Video Security Client	Configuration Manager
