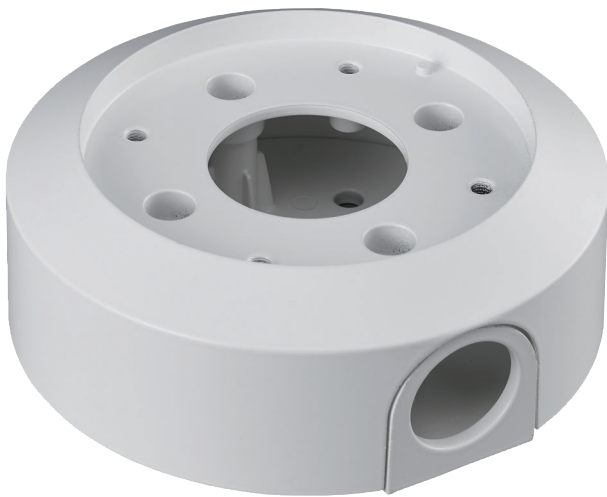


# NDA-U-PSMB Pendant wall/ceiling mount SMB

www.boschsecurity.com



**BOSCH**  
Invented for life



- ▶ Surface mount box (SMB) for pendant wall or pipe mount.
- ▶ Enables installation with a conduit (M25 or 3/4 inch)
- ▶ Modular design for fast and easy installation
- ▶ Weather resistant finish to maintain cosmetic appearance
- ▶ Vandal resistant design for indoor and outdoor use

The modular camera mounts & accessories are a family of mounts, mounting adapters, pendant interface plates and surveillance cabinets which can be used with a wide range of Bosch cameras. The accessories are easy to install and can be combined to simplify installation in multiple locations whilst retaining the same look and feel.

## Functions

The pendant surface mount box enables installation of the pendant wall or pipe mount with conduits (M25 or 3/4inch).

It provides a safe and robust solution to mount cameras directly to a ceiling or it can be used in combination with:

- NDA-U-CMT Corner mount adapter
- NDA-U-PMAS Pole mount adapter small
- NDA-U-PMAL Pole mount adapter large

## Certifications and approvals

### Environmental

Salt mist	IEC60068-2-52
Vibration	NEMA TS2
Shock	IEC60068-2-27
Impact	IK10

## Parts included

Quantity	Component
1	SMB for Pendant wall mount or Ceiling mount
4	M5 x 16 mm pan head Torx screw with Zinc coating
1	Rubber conduit plug
1	Quick Installation Guide

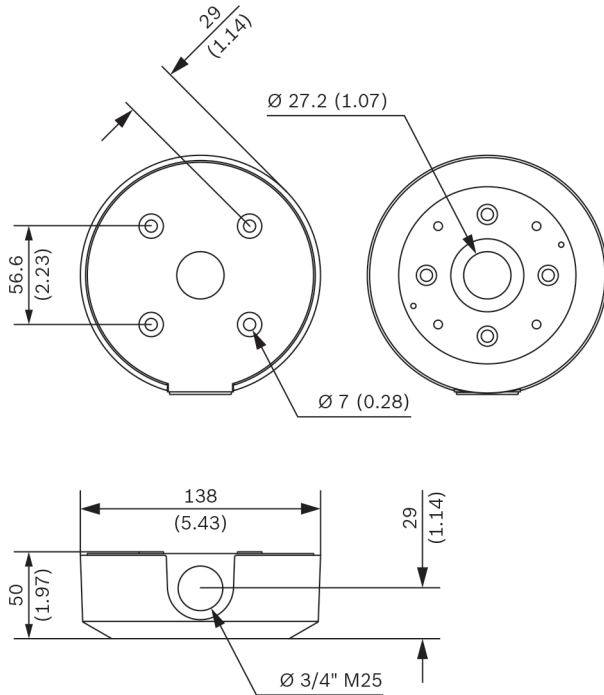
**Technical specifications**

**Mechanical**

Dimensions	Φ 138 mm (5.4 in), H = 50 mm (2.0 in)
Weight	428 g (0.94 lb)
Standard Color	White (RAL 9003)
Construction Material	Aluminum alloy

**NDA-U-WMT Pendant wall mount**

Universal wall mount for dome cameras, white  
Order number **NDA-U-WMT**



Dimensions in mm (inch)

**Ordering information**

**NDA-U-PSMB Pendant wall/ceiling mount SMB**

Surface mount box (SMB) for wall mount or pipe mount.

Order number **NDA-U-PSMB**

**Accessories**

**NDA-U-CMT Corner mount adapter**

Universal corner mount, white

Order number **NDA-U-CMT**

**NDA-U-PMAL Pole mount adapter large**

Universal pole mount adapter, white; large

Order number **NDA-U-PMAL**

**NDA-U-PMAS Pole mount adapter small**

Pole mount adapter small

Universal pole mount adapter, white; small.

Order number **NDA-U-PMAS**

**NDA-U-PMT Pendant pipe mount, 12" (31cm)**

Universal pipe mount for dome cameras, 31 cm, white

Order number **NDA-U-PMT**

**Represented by:**

**Europe, Middle East, Africa:**  
Bosch Security Systems B.V.  
P.O. Box 80002  
5600 JB Eindhoven, The Netherlands  
Phone: + 31 40 2577 284  
emea.securitysystems@bosch.com  
emea.boschsecurity.com

**Germany:**  
Bosch Sicherheitssysteme GmbH  
Robert-Bosch-Ring 5  
85630 Grasbrunn  
Germany  
www.boschsecurity.com

**North America:**  
Bosch Security Systems, Inc.  
130 Perinton Parkway  
Fairport, New York, 14450, USA  
Phone: +1 800 289 0096  
Fax: +1 585 223 9180  
onlinehelp@us.bosch.com  
www.boschsecurity.us

**Asia-Pacific:**  
Robert Bosch (SEA) Pte Ltd, Security Systems  
11 Bishan Street 21  
Singapore 573943  
Phone: +65 6571 2808  
Fax: +65 6571 2699  
apr.securitysystems@bosch.com  
www.boschsecurity.asia