

# NDA-U-PA0 Surveillance cabinet 24VAC

www.boschsecurity.com



**BOSCH**

Invented for life



- ▶ Complete power supply and connectivity solution suitable for outdoor use
- ▶ 24 VAC Input/Output
- ▶ Built-in surge protection to enhance system reliability
- ▶ Seamlessly integrates within the camera mount eliminating the need for a separate junction box
- ▶ Modular design for fast and easy installation

The modular camera mounts & accessories are a family of mounts, mounting adapters, pendant interface plates and surveillance cabinets which can be used with a wide range of Bosch cameras. The accessories are easy to install and can be combined to simplify installation in multiple locations whilst retaining the same look and feel.

## Functions

Bosch surveillance cabinets are designed to meet the power and electrical safety requirements for cameras used in outdoor security applications. The surveillance cabinets provide a power supply for situations without PoE.

The NDA-U-PA0 is available with necessary electrical interfaces and surge protection circuitry to support direct 24 VAC operations.

### Fiber optic kits

The VG4-SFPSCKT fiber optic kit is a unique media converter module for use with the surveillance cabinet. This media converter is designed to accept a wide range of 10/100 Mbps Small Form-factor Pluggable (SFP) modules for use with Multimode or Singlemode fiber with LC or SC connectors. The media converter

module and SFP module can be installed directly into the surveillance cabinet to provide an integrated fiber optic solution.

### Universal accessory combinations

This accessory comes ready for installation to a wall or ceiling. To adapt it to be mounted to a pole or corner, the following accessories must be used with:

- NDA-U-PMAL Pole mount adapter large
- NDA-U-CMT Corner mount adapter

This accessory allows easy, direct installation of the following mounts:

- NDA-U-WMT Pendant wall mount
- NDA-U-PMT Pendant ceiling mount

## Certifications and approvals

Environmental	
Salt mist	IEC60068-2-52
Impact	IK10
Ingress Protection	IP66
Vibration	NEMA TS2
Shock	NEMA TS2

Region	Regulatory compliance/quality marks	
Europe	CE	NDA-U-PAx
USA	UL	NDA-U-PAx

**Parts included**

Quantity	Component
1	Surveillance cabinet 24VAC
1	Quick Installation Guide
1	Safety manual
1	EAC document

**Technical specifications**

**Mechanical**

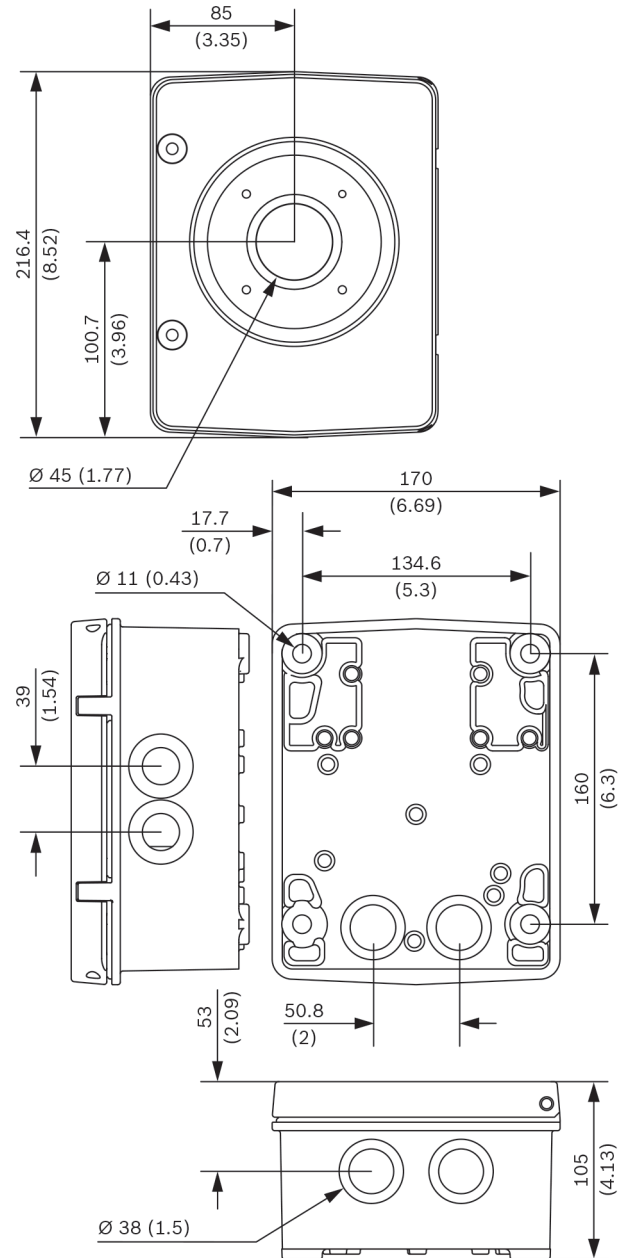
Dimensions (W x H x D)	170.0 mm x 216.4 mm x 105.0 mm (6.69 in. x 8.52 in. x 4.13 in.)
Weight	2337 g (5.15 lb)
Standard Color	White (RAL 9003)
Construction Material	Aluminum alloy

**Electrical**

Surge protection on power output	Peak current 21.4 A, peak power 1500 W (10/1000 µs)
Input	24 VAC, 50/60 Hz
Output rating	24 V @ 96 VA
Input fuses	5.0 A
Output fuses	2.0 A (Camera), 3.15 A (Heater)

**Environmental**

Operating Temperature	-60°C to 55°C (-76°F to 131°F)
Humidity	0% to 100%, condensing



Dimensions in mm (inch)

**Ordering information**

**NDA-U-PA0 Surveillance cabinet 24VAC**

Surveillance cabinet, 24 VAC input, 24 VAC output, IP66

Order number **NDA-U-PA0**

**Accessories**

**NDA-U-WMT Pendant wall mount**

Universal wall mount for dome cameras, white

Order number **NDA-U-WMT**

**NDA-U-CMT Corner mount adapter**

Universal corner mount, white

Order number **NDA-U-CMT**

**NDA-U-PMAL Pole mount adapter large**

Universal pole mount adapter, white; large  
Order number **NDA-U-PMAL**

---

**NDA-U-PMT Pendant pipe mount, 12" (31cm)**

Universal pipe mount for dome cameras, 31 cm, white  
Order number **NDA-U-PMT**

---

**VG4-SFPSCKT ETHERNET TO SFP INTERFACE KIT**

Ethernet media converter video transmitter/data receiver fiber optic kit for AUTODOME cameras and for MIC-IP-PSU for MIC analog cameras.  
Order number **VG4-SFPSCKT**

---

**SFP-2 Fiber module, multimode, 1310nm, 2LC**

SFP Fiber Optic Module, 2 km (1.2 miles), 2 LC connectors.  
Multi-mode  
1310 nm  
Order number **SFP-2**

---

**SFP-3 Fiber module, single-mode, 1310nm, 2LC**

SFP Fiber Optic Module, 20 km (12.4 miles), 2 LC connectors.  
Single-mode  
1310 nm  
Order number **SFP-3**

---

**SFP-25 Fiber module, 1310/1550nm, 1SC**

SFP Fiber Optic Module, 2 km (1.2 miles), 1 SC connector  
Multi-mode  
1310/1550 nm  
Order number **SFP-25**

---

**SFP-26 Fiber module, 1550/1310nm, 1SC**

SFP Fiber Optic Module, 2 km (1.2 miles), 1 SC connector  
Multi-mode  
1550/1310 nm  
Order number **SFP-26**

---

**Represented by:**

**Europe, Middle East, Africa:**  
Bosch Security Systems B.V.  
P.O. Box 80002  
5600 JB Eindhoven, The Netherlands  
Phone: + 31 40 2577 284  
emea.securitysystems@bosch.com  
emea.boschsecurity.com

**Germany:**  
Bosch Sicherheitssysteme GmbH  
Robert-Bosch-Ring 5  
85630 Grasbrunn  
Germany  
www.boschsecurity.com

**North America:**  
Bosch Security Systems, Inc.  
130 Perinton Parkway  
Fairport, New York, 14450, USA  
Phone: +1 800 289 0096  
Fax: +1 585 223 9180  
onlinehelp@us.bosch.com  
www.boschsecurity.us

**Asia-Pacific:**  
Robert Bosch (SEA) Pte Ltd, Security Systems  
11 Bishan Street 21  
Singapore 573943  
Phone: +65 6571 2808  
Fax: +65 6571 2699  
apr.securitysystems@bosch.com  
www.boschsecurity.asia