

# NDA-8000-WP On-camera weather protector

www.boschsecurity.com



**BOSCH**

Invented for life



- ▶ Corrosion-resistant finish
- ▶ Easy installation
- ▶ Protects against rain, dirt and sun
- ▶ Stylish and robust design allowing use in all environments

## Certifications and approvals

### Environmental

Salt mist	IEC60068-2-52
Impact	IK08

## Parts included

Quantity	Component
1	On-camera weather protector
2	M5 x 81 mm pan head Torx (security) screw with Zinc coating
1	Quick Installation Guide

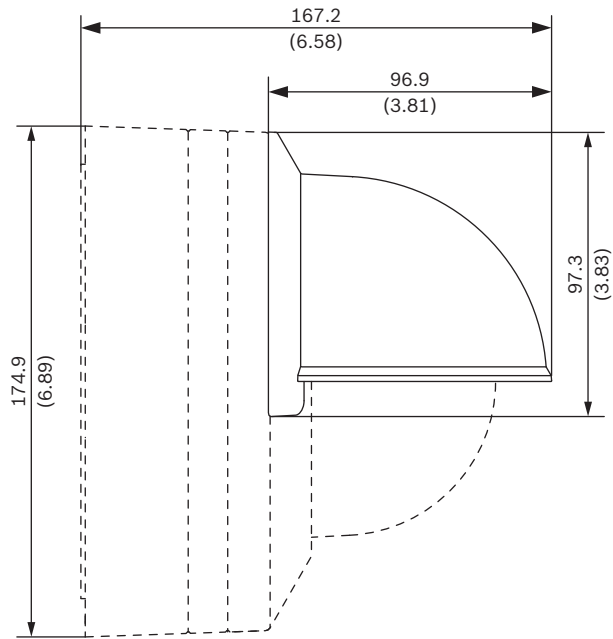
## Technical specifications

### Mechanical

Dimensions (W x D)	96.9 x 97.3 mm (3.81 x 3.83 in)
Weight	184 g (0.41 lb)
Standard Color	White (RAL 9003)

### Mechanical

Construction Material	Aluminum alloy
Mounting	To a wall, with FLEXIDOME IP 8000i



Dimensions in mm (inch)

### Ordering information

**NDA-8000-WP On-camera weather protector**  
On-camera weather protector for FLEXIDOME IP  
8000i.  
Order number **NDA-8000-WP**

#### Represented by:

**Europe, Middle East, Africa:**  
Bosch Security Systems B.V.  
P.O. Box 80002  
5600 JB Eindhoven, The Netherlands  
Phone: + 31 40 2577 284  
emea.securitysystems@bosch.com  
emea.boschsecurity.com

**Germany:**  
Bosch Sicherheitssysteme GmbH  
Robert-Bosch-Ring 5  
85630 Grasbrunn  
Germany  
www.boschsecurity.com

**North America:**  
Bosch Security Systems, Inc.  
130 Perinton Parkway  
Fairport, New York, 14450, USA  
Phone: +1 800 289 0096  
Fax: +1 585 223 9180  
onlinehelp@us.bosch.com  
www.boschsecurity.us

**Asia-Pacific:**  
Robert Bosch (SEA) Pte Ltd, Security Systems  
11 Bishan Street 21  
Singapore 573943  
Phone: +65 6571 2808  
Fax: +65 6571 2699  
apr.securitysystems@bosch.com  
www.boschsecurity.asia