

# NDA-3050-PIP Pendant interface plate panoramic 5000

www.boschsecurity.com



**BOSCH**  
Invented for life



- ▶ Pendant interface plate for FLEXIDOME IP panoramic 5000 MP
- ▶ Weather resistant finish to maintain cosmetic appearance
- ▶ Modular design for fast and easy installation

## Functions

This pendant interface plate is designed to enable installation of the FLEXIDOME IP panoramic 5000 MP to Bosch modular pendant mounts or any third party mount with 1.5 inch NPT threads. It provides a safe, robust and watertight solution to mount your camera to:

- NDA-U-WMT Pendant wall mount
- NDA-U-PMT Pendant pipe mount

## Certifications and approvals

### Environmental

Salt mist	IEC60068-2-52
Impact	IK10
Ingress protection	IP66

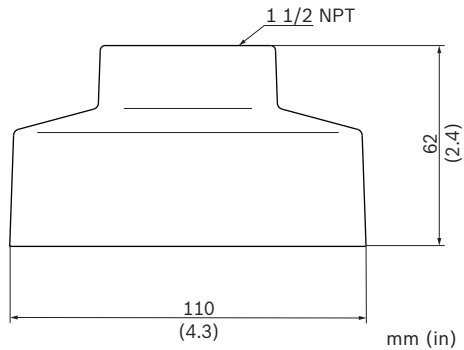
## Parts included

Quantity	Component
1	Pendant interface plate
4	M3 x 10 mm Phillips head cavity, Zinc plated
1	M20 cable gland
1	Quick Installation Guide

## Technical specifications

### Mechanical

Dimensions	Ø 110 mm (4.3 in), H = 62 mm (2.4 in)
Weight	380 g (0.84 lb)
Standard Color	White (RAL 9003)
Construction Material Pendant interface plate	Aluminum alloy



### Ordering information

#### **NDA-3050-PIP Pendant interface plate panoramic 5000**

Pendant interface plate for FLEXIDOME IP panoramic 5000 MP. For outdoor and indoor  
Order number **NDA-3050-PIP**

#### **Accessories**

#### **NDA-U-PMT Pendant pipe mount, 12" (31cm)**

Universal pipe mount for dome cameras, 31 cm, white  
Order number **NDA-U-PMT**

#### **NDA-U-PMTE Pendant pipe extension, 20" (50cm)**

Extension for universal pipe mount, 50 cm, white  
Order number **NDA-U-PMTE**

#### **NDA-U-RMT Pendant parapet mount**

Universal roof mount for dome cameras, white  
Order number **NDA-U-RMT**

#### **NDA-U-WMT Pendant wall mount**

Universal wall mount for dome cameras, white  
Order number **NDA-U-WMT**

#### Represented by:

**Europe, Middle East, Africa:**  
Bosch Security Systems B.V.  
P.O. Box 80002  
5600 JB Eindhoven, The Netherlands  
Phone: + 31 40 2577 284  
emea.securitysystems@bosch.com  
emea.boschsecurity.com

**Germany:**  
Bosch Sicherheitssysteme GmbH  
Robert-Bosch-Ring 5  
85630 Grasbrunn  
Germany  
www.boschsecurity.com

**North America:**  
Bosch Security Systems, Inc.  
130 Perinton Parkway  
Fairport, New York, 14450, USA  
Phone: +1 800 289 0096  
Fax: +1 585 223 9180  
onlinehelp@us.bosch.com  
www.boschsecurity.us

**Asia-Pacific:**  
Robert Bosch (SEA) Pte Ltd, Security Systems  
11 Bishan Street 21  
Singapore 573943  
Phone: +65 6571 2808  
Fax: +65 6571 2699  
apr.securitysystems@bosch.com  
www.boschsecurity.asia