

NDA-5081-PLEN In-ceiling plenum rated kit, 110mm



- ▶ Modular design for fast and easy installation
- ▶ One accessory line for multiple camera families from Bosch
- ▶ Corrosion-resistant finish
- ▶ Complies with safety requirements (UL2043) for installation above the ceiling

The modular camera mounts & accessories are a family of mounts, mounting adapters, pendant interface plates and surveillance cabinets which can be used with a wide range of Bosch cameras. The accessories are easy to install and can be combined to simplify installation in multiple locations while retaining the same look and feel.

Functions

Modular design: use with different cameras

The modular design is flexible and can be used to install Bosch cameras both indoors and outdoors. By choosing the relevant camera specific interface plate for the camera to be installed, common mounts can be used, making multi-camera installations simpler and ensuring common form and color (RAL9003).

Regulatory information

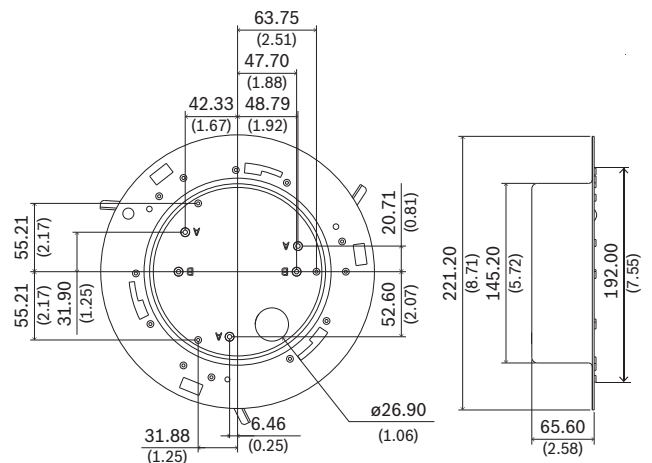
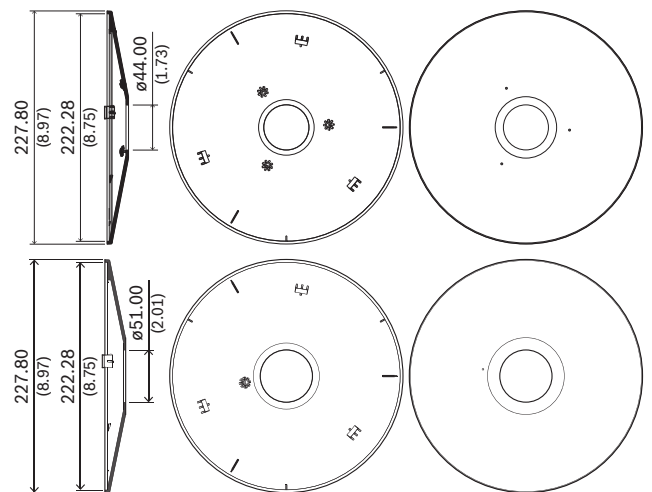
Environmental

Fire test Plenum rated: UL 2043

Installation/configuration notes

Notice

The cutout section to install this accessory must have a diameter of 192 mm.



Dimensions in mm (inch)

Parts included

Quantity	Component
1	Plenum-rated in-ceiling mount kit
1	Top cover for FLEXIDOME IP micro 3000i
2	Hexagonal stand-off for FLEXIDOME IP micro 3000i
1	Top cover for FLEXIDOME panoramic 5100i
3	M4 x 8L screws
1	Quick installation guide

Technical specifications

Mechanical

Dimension (Ø x H) (mm)	227.80 mm x 113.90 mm
Dimension (Ø x H) (in)	8.97 in x 4.48 in
Cutout section for installation (Ø) (mm)	192 mm
Cutout section for installation (Ø) (in)	7.56 in
Weight (g) (individual top cover)	1164 g
Weight (lb) (individual top cover)	2.57 lb
Color in RAL (face plate)	RAL 9003 Signal white
Color (inside parts)	Black
Material	Steel; polycarbonate resin (face plate)

Ordering information

NDA-5081-PLEN In-ceiling plenum rated kit, 110mm

Plenum-rated in-ceiling mount kit for FLEXIDOME panoramic 5100i and FLEXIDOME IP micro 3000i
Order number **NDA-5081-PLEN | F.01U.394.002**

Represented by:

Europe, Middle East, Africa:
Bosch Security Systems B.V.
P.O. Box 80002
5600 JB Eindhoven, The Netherlands
Phone: +31 40 2577 284
www.boschsecurity.com/xc/en/contact/
www.boschsecurity.com

Germany:
Bosch Sicherheitssysteme GmbH
Robert-Bosch-Ring 5
85630 Grasbrunn
Tel.: +49 (0)89 6290 0
Fax: +49 (0)89 6290 1020
de.securitysystems@bosch.com
www.boschsecurity.com

North America:
Bosch Security Systems, LLC
130 Perinton Parkway
Fairport, New York, 14450, USA
Phone: +1 800 289 0096
Fax: +1 585 223 9180
onlinehelp@us.bosch.com
www.boschsecurity.com

Asia-Pacific:
Robert Bosch (SEA) Pte Ltd, Security Systems
11 Bishan Street 21
Singapore 573943
Phone: +65 6571 2808
Fax: +65 6571 2699
www.boschsecurity.com/xc/en/contact/
www.boschsecurity.com