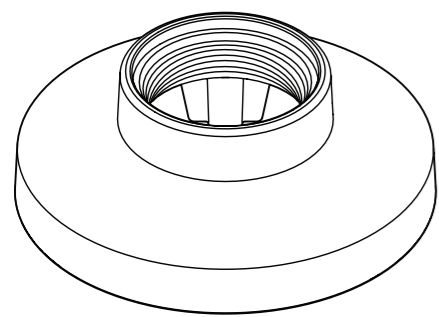
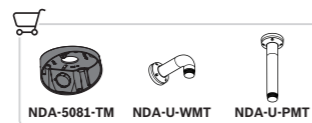
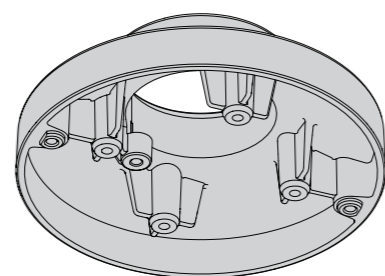


1 |



x5  
M4

2 |

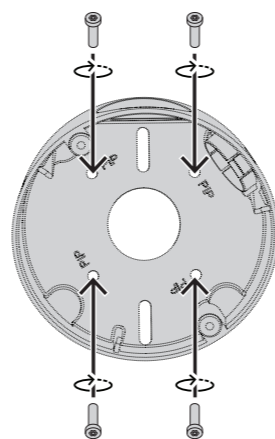


NDA-5081-TM

NDA-U-WMT

NDA-U-PMT

3 |



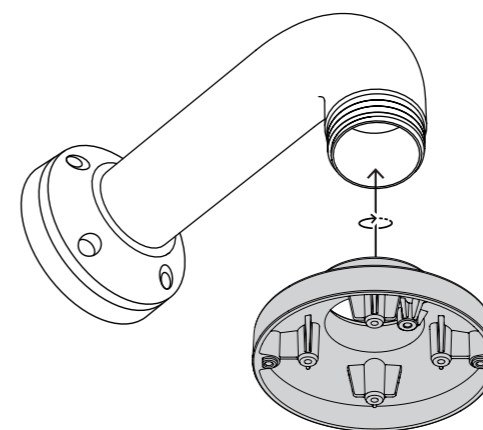
NDA-5081-TM



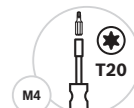
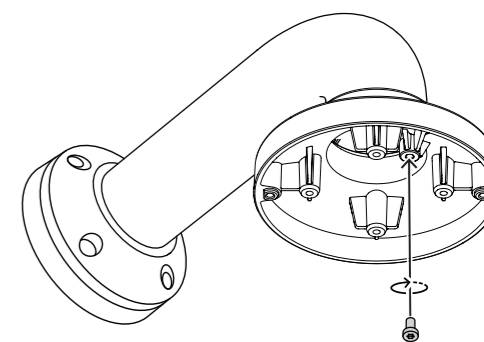
M4

T20

4 |



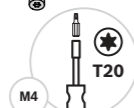
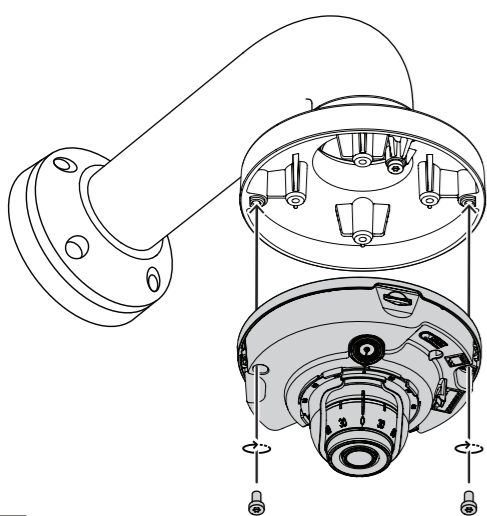
5 |



M4

T20

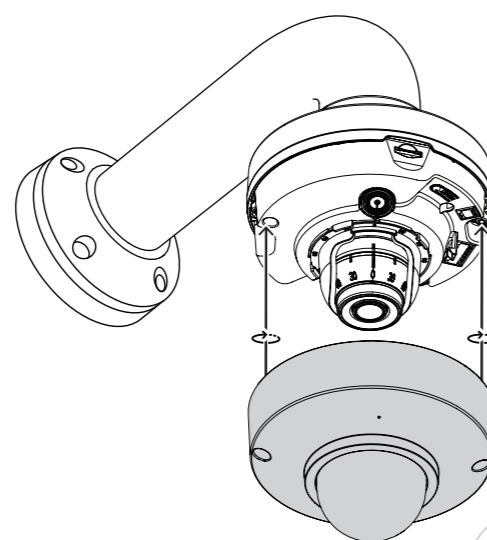
6 |



M4

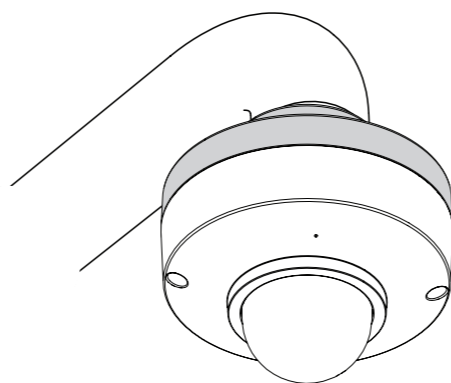
T20

7 |

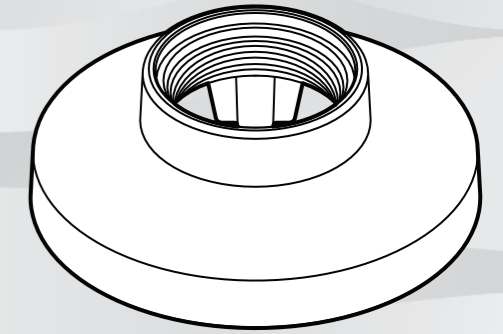


TR20

8 |



**Pendant interface plate, 110mm**  
NDA-5081-PIP



**en** Quick installation guide

**Bosch Security Systems B.V.**  
Torenallee 49  
5617 BA Eindhoven  
Netherlands  
**[www.boschsecurity.com](http://www.boschsecurity.com)**  
© Bosch Security Systems B.V., 2021