

KB2100 Network Control Keyboard

KB2100



Key Features

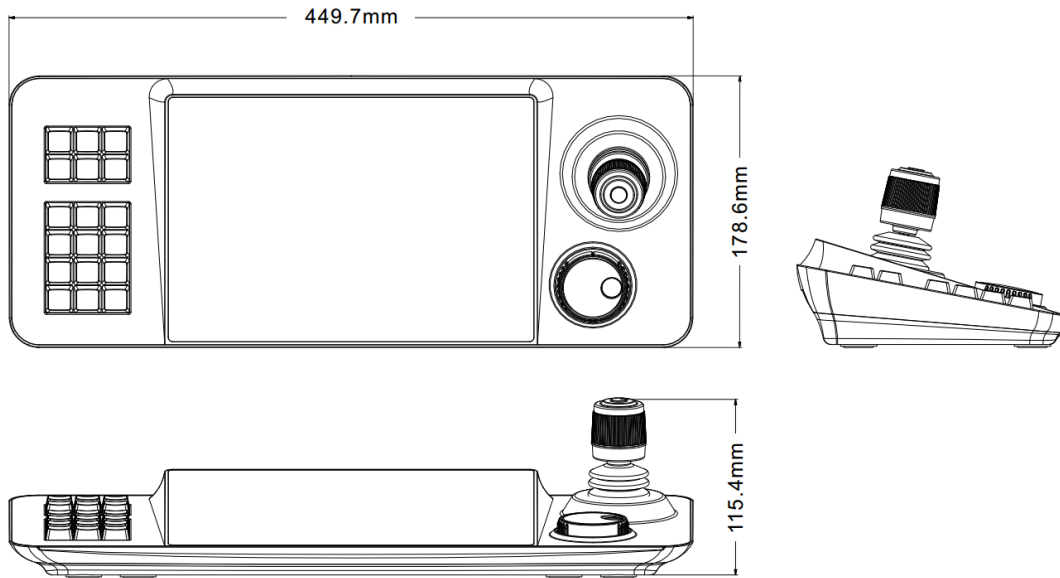
- 10.2" capacitive touch screen, 2-point touch control.
- Simultaneous output of 1920*1080P@60Hz videos.
- Supports connecting a total of 500 channels of IPC/NVR devices, including UNV devices via LAN and third-party devices via ONVIF.
- Supports searching and adding IPCs and NVRs by one click.
- H.264/H.265.
- Capable of decoding 1*4K, 4*1080P, or 8*720P videos.
- 4D joystick allows users to perform pan, tilt, focus, and zoom operations on a PTZ camera.
- Supports connecting VMS, VM, decoder and other devices to control video walls (including window opening, roaming, split screen, sequence, scene, screen on/off, etc.).
- Enable/disable key tone.
- Scheduled restart.
- System upgrade via a USB flash drive.

Specifications

Function	Parameter
General	
Screen size	10.2 inches
Decoding format	H.264/H.265
Decoding capability	1*4K@25fps/4*1080@30fps/8*720P@30fps
Split screen	1/4/9 (supports simultaneous display of up to 8 channels)
Signal output	
HDMI output resolution	1920x1080@60Hz
Interface	
Serial port	1 * RS232 (DB9, reserved) 1 * RS485 (half-duplex, reserved)
HDMI output	1 * HDMI output interface
USB	1 * USB interface (used to upgrade device and connect mouse)
Network	1 * 10M/100M adaptive Ethernet interface (RJ45)
Audio	1 * standard 3.5mm audio jack (reserved)
Power	DC 12V power interface
Hardware	
Power consumption	< 15W
Operating temperature	-10°C to 40°C
Operating humidity	10% to 90% RH (non-condensing)
Storage temperature	-40°C to 60°C
Dimensions (W*D*H)(mm)	449.7*178.6*115.4
Net weight(kg)	1.4

Dimensions

KB2100



: mm

Rear Panel



1	RS485 serial interface (reserved)
2	RS232 serial interface (reserved)
3	HDMI output interface
4	USB interface (used to upgrade device and connect mouse)
5	3.5mm audio jack (reserved)
6	10M/100M adaptive Ethernet interface
7	DC 12V power interface

8	Power switch
---	--------------

Zhejiang Uniview Technologies Co., Ltd.

Building No.10, Wanlun Science Park, Jiangling Road 88, Binjiang District, Hangzhou, Zhejiang, China

Email: overseasbusiness@uniview.com; globalsupport@uniview.com

<http://www.uniview.com>

©2022 Zhejiang Uniview Technologies Co., Ltd. All rights reserved.

* Product specifications and availability are subject to change without notice.