

# 3MP 20X Network PTZ Dome Camera

IPC-P413-X20K



## Key Features

- High quality image with 3MP, 1/2.8" CMOS sensor
- 2304\*1296@30fps in the main stream
- 20X optical zoom allows for closer viewing of subjects
- Up to 120 dB Optical WDR (Wide Dynamic Range)
- Smart IR, up to 100m (328ft) IR distance
- DC 12V±25% or PoE+ (IEEE 802.3at)
- Micro SD, up to 256GB
- IP66 ingress protection

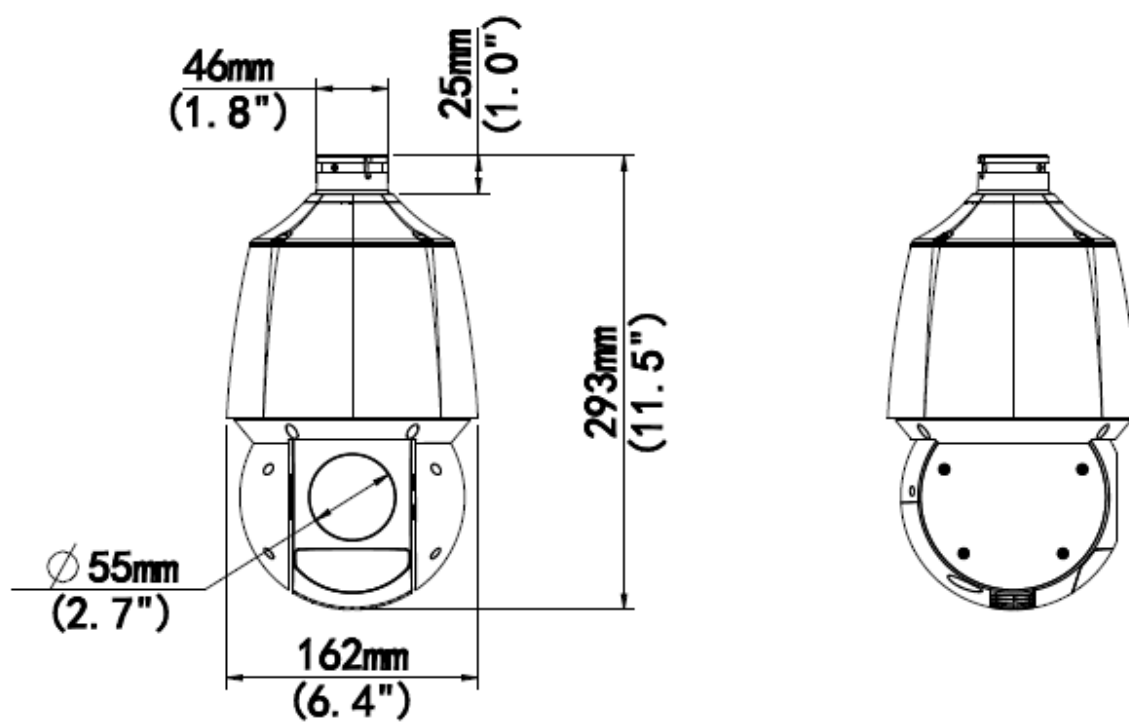
## Specifications

	IPC-P413-X20K				
<b>Camera</b>					
Sensor	1/2.8", 3.0 megapixel, progressive scan, CMOS				
Min. Illumination	Colour: 0.003 Lux (F1.7, AGC ON) 0 Lux with IR				
Day/Night	IR-cut filter with auto switch (ICR)				
Shutter	Auto/Manual, 1 ~ 1/100000s				
WDR	120dB				
S/N	>52dB				
<b>Lens</b>					
Lens type	5 ~ 100mm, AF automatic focusing and motorized zoom lens				
Optical Zoom	20				
Iris	Fixed; F1.7 ~ F2.8				
Angle of View (H)	51.70° ~ 3.85°				
Angle of View (V)	30.49° ~ 2.16°				
Angle of View (O)	63.60° ~ 4.54°				
<b>DORI</b>					
DORI Distance	Lens (mm)	Detect (m)	Observe (m)	Recognize (m)	Identify (m)
	5	77.6 (254.5ft)	31.0 (101.8ft)	15.5 (50.9ft)	7.8 (25.5ft)
	100	1551.7 (5091.0ft)	620.7 (2036.4ft)	310.3 (1018.2ft)	155.2 (509.1ft)
<b>Illuminator</b>					
IR Range	Up to 100m (328 ft) IR range				
Wavelength	850nm				
IR On/Off Control	Auto/Manual				
<b>Video</b>					
Video Compression	H.265, H.264, MJPEG				
Frame Rate	Main Stream: 3MP (2304*1296), Max 30fps; Sub Stream: 720P (1280*720), Max 30fps; Third Stream: D1 (720*576), Max 30fps;				
Video Bit Rate	128 Kbps~16 Mbps				
ROI	Support				
Video Stream	Triple streams				
OSD	Up to 8 OSDs				
Privacy Mask	24 areas, up to 4 areas per scene				
<b>Image</b>					
White Balance	Auto/Outdoor/Fine Tune/Sodium Lamp/Locked/Auto2				
Digital Noise Reduction	2D/3D DNR				
Smart IR	Support				
Flip	Normal/Flip Vertical/Flip Horizontal/180°				
HLC	Support				
BLC	Support				
Defog	Digital Defog				

Events	
Basic Detection	Motion detection, Tampering Alarm
Auto Tracking	Support
General Function	Watermark, IP Address Filtering, Access Policy, ARP Protection, RTSP Authentication, User Authentication
Storage	
Edge Storage	Micro SD, up to 256 GB
Network Storage	ANR, NAS(NFS)
Network	
Protocols	IPv4, IGMP, ICMP, ARP, TCP, UDP, DHCP, PPPoE, RTP, RTSP, RTCP, DNS, DDNS, NTP, FTP, UPnP, HTTP, HTTPS, SMTP, 802.1x, SNMP, QoS, RTMP,SSL/TLS
Compatible Integration	ONVIF (Profile S, Profile G, Profile T), API, SDK
User/Host	Up to 32 users. 3 user levels: administrator, operator and common user
Security	Password protection, Strong password, HTTPS encryption, Export operation logs, Basic and digest authentication for RTSP, Digest authentication for HTTP, TLS 1.2, WSSE and digest authentication for ONVIF
Client	Uniarch Client Uniarch app
Web Browser	Plug-in required live view: IE 10 and above, Chrome 45 and above, Firefox 52 and above, Edge 79 and above
Pan & Tilt	
Pan Range	360° (endless)
Pan Speed	0.1°/s ~ 80°/s
	Preset speed: 80°/s
Tilt Range	-15° ~ 90° (auto reverse)
Tilt Speed	0.1°/s ~ 80°/s
	Preset speed: 80°/s
Number of Presets	1024
Preset Patrol	16 patrols, up to 64 presets for each patrol
Route Patrol	16 patrols, up to 32 actions for each patrol
Recorded Patrol	16 patrols, up to 128 actions for each patrol
Patrol Stay Time	15s ~ 1800s
Preset Image Freeze	N/A
Home Position	Support
Interface	
Audio I/O	N/A
Alarm I/O	N/A
Serial Port	N/A
Built-in Mic	N/A
Built-in Speaker	N/A
Wi-Fi	N/A
Network	1 * RJ45 10M/100M Base-TX Ethernet
Video Output	N/A
General	
Power	DC12V (±25%), PoE+(IEEE 802.3at)
	Power consumption: MAX 20W
Power Interface	Ø 5.5mm coaxial power plug

Dimensions (Ø x H)	Ø162 x 293mm (Ø6.4" x 11.5")
Weight	1.79kg (3.95lb)
Working Environment	-40°C ~ 65°C (-40°F ~ 149°F), Humidity: ≤95% RH (non-condensing)
Storage Environment	-40°C ~ 70°C (-40°F ~ 158°F), Humidity: ≤95% RH (non-condensing)
Surge Protection	6KV
Reset Button	Support
Protection	Ingression protection: IP66 (IEC 60529:1989+AMD1:1999+AMD2:2013)

## Dimensions



Accessories

TR-CE45-IN  
Pendent Mount



TR-SE45-IN  
Pendent Mount



TR-WE45-IN  
Wall Mount



TR-UP08-A-IN/TR-UP08-B-IN

Pole Mount



TR-UF45-A-IN  
Pendent Mount



TR-UC08-A-IN/ TR-UC08-B-IN

Corner Mount



TR-JB12-IN  
Junction Box



TR-WE45-B-IN

Wall Mount



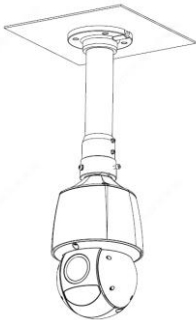
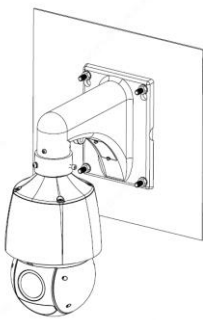
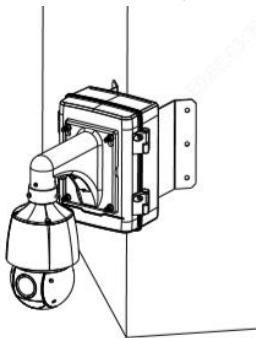
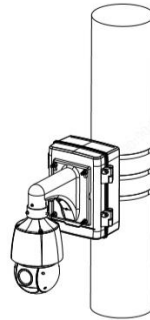
TR-SE45-A-IN  
Pendent Mount



TR-WE45-A-IN

Wall Mount



Pendent Mount (Indoor Use)	Wall Mount
TR-CE45-IN	TR-WE45-IN / TR-WE45-A-IN
	
Corner Mount	Pole Mount
TR-UC08-A-IN + TR-JB12-IN + TR-WE45-IN	TR-UP08-A-IN + TR-JB12-IN + TR-WE45-IN
	

www.uniview.com/uniarch

©2022 Zhejiang Uniview Technologies Co., Ltd. All rights reserved.

\*Product specifications and availability are subject to change without notice.