



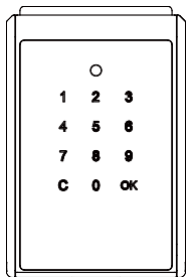
# Bluetooth Key Box

Operation Manual

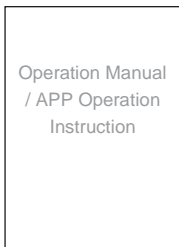
# Table of Contents

What's Included	1
Specifications	2
Features	3 - 5
Quick Start Guide	6
Unlocking / Locking	7
Key Box Installation	8
Key Box Operation Instructions	9 - 10
Audio and LED Indications	11 - 12

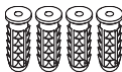
# What's Included



Key Box x1



Quick Guide x2



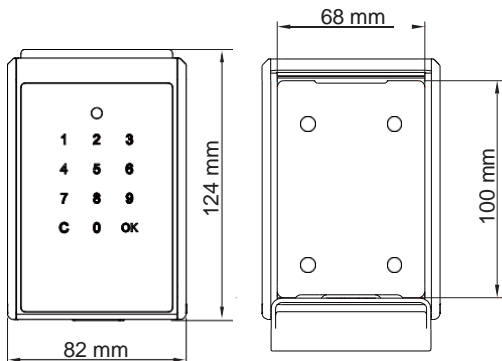
Screws Anchors x4



Mounting Screws x4

# Specifications

<b>Model</b>	Key Box
<b>Battery Type</b>	4 x AAA Alkaline Batteries
<b>Battery Life</b>	Up to 3,000 times operations
<b>Emergency Power</b>	Micro USB Jump-start
<b>Operation Temp</b>	-5°C ~ 55°C
<b>Storage Temp</b>	-10°C ~ 60°C
<b>IP Rating</b>	IP55
<b>Body Material</b>	Zinc Alloy, Acrylic, TPR, ABS
<b>Weight</b>	Net: 1.2kg / Gross: 1.4kg
<b>Unlock Mechanism</b>	Pass code / APP



# Features

## PIN / Bluetooth Unlock

---



### **User / Guest PIN Code**

Key Box unlocks with User / Guest PIN Code by touchpad.



### **Bluetooth Master PIN Code**

Key Box unlocks with Bluetooth via the app.



### **Bluetooth User PIN Code**

Mobile app can generate and share Bluetooth keys with users to unlock the Key Box.



### **Bluetooth Guest PIN Code**

The Key Box mobile app can generate and share Bluetooth keys based on duration with guests to unlock the Key Box.

# Battery

---



## Battery Life

The Key Box can last up to 3,000 times operations with 4 AAA Alkaline battery.



## Low Battery Indicator

If the battery is low, a warning beep will sound and the status indicator will also shows red light after waking up the device. The lock operates as normal immediately following the alerts. The Key Box can still operate up to 100 cycles in low battery condition.



## Emergency Jump-start

If battery power is drained, connect Micro USB charging cable to a power bank then plug it onto the Micro USB jump-start port on the Lock Box to provide emergency power.

# Security

---



## **APP History Records**

“SUO” APP can query 40 latest records that have been operated on, any entry and exit can be immediately known.



## **Keypad Security Lockout**

Lock will disallow any PIN entries and sound an alarm when there is a number of incorrect PIN attempt.



## **Auto Relock**

The Key Box relocks automatically when product is closed.

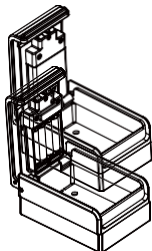


## **Weather Resistant**

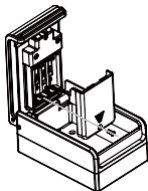
The Key Box is able to withstand weather conditions with protection against dust and water (IP55).

# Quick Start Guide

1. Open the Lock Box



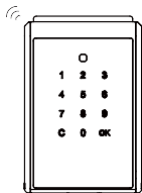
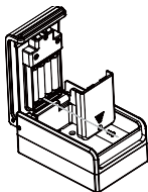
2. Loosen the fixing screw and remove battery cover



3. Insert AAA Alkaline battery x4

5. The LED light lights up and buzzer beeps after power on

4. Secure battery cover tightly with screw

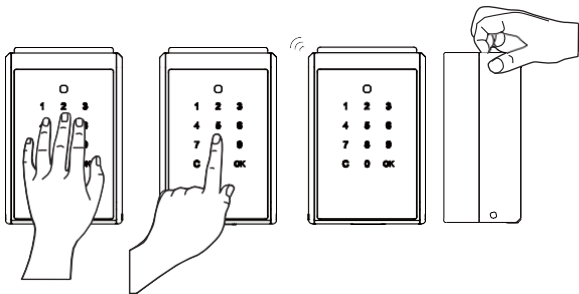




# Unlocking (Default Code: 011234)

1. Touch the screen to wake device up.
2. Key in a valid pass code.
3. The status indicator will light up green once unlocked.

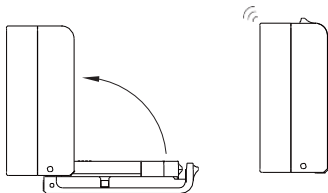
**⚠** The default code is 011234, if the pass code has been changed, press the new pass code.



## Locking

### Auto Relock

Simple close the door in place, the Key Box will lock up automatically with a long beep.

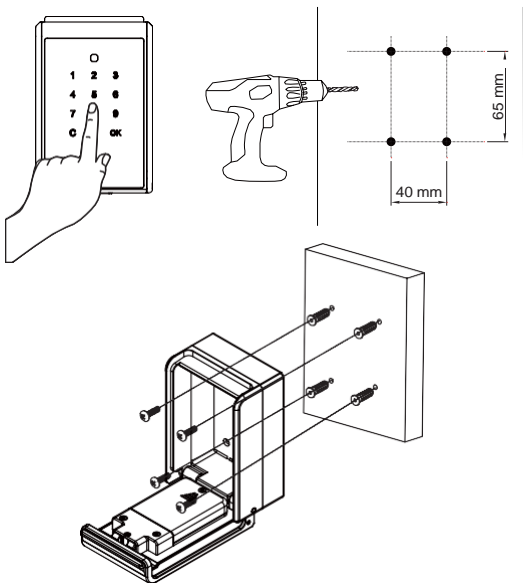


# Key Box Installation

## Wall-Mounted

1. Unlock the Key Box.
2. Drill holes on a wall.
3. Hammer the screw anchors into the holes and mount the Key Box on the wall with the screws.

**⚠** The equipment is only suitable for mounting at heights  $\leq 2$  m.



# Key Box Operation Instructions

## **A** Enter Administrator mode (Default code: 123456)

### **Instruction:**

Press [ OK ] >> Administrator pass code >> [ OK ]

**⚠** The default code is 123456, if the pass code has been changed, press the new pass code.

---

## **B** Change Administrator pass code

※ Command code **01**: Change Administrator pass code

### **Instruction:**

Enter Administrator mode >> Press Command code 0 1 >> [ OK ] >> New pass code >> [ OK ] >> New pass code >> [ OK ] >> [ C ]

(New administrator pass code: must be 6 digits )

### **Example:**

(Original administrator pass code 123456 change to 112233)

Press [ OK ] >> 1 2 3 4 5 6 >> [ OK ] >> 0 1 >> [ OK ] >> 1 1 2 2 3 3 >> [ OK ] >> 1 1 2 2 3 3 >> [ OK ] >> [ C ]

---

## **C** Exit Administrator mode

### **Instruction:**

Press [ C ] to exit administrator mode

※ To perform your settings, press C to exit administrator mode.

## **D Add/change user's unlock pass code**

- ※ Command code **02** : Add/change unlock pass code
- ※ User code **01~10** : Stores up to 10 user codes
- ※ Only user's pass code can be managed by touchpad

### **Instruction:**

Enter Administrator mode >> Press Command code 0 2 >>  
[ OK ] >> User code L L >> [ OK ] >> New pass code >>  
[ OK ] >> [ C ]

(L L=user code 01~10;

New user unlock pass code: must be 4 digits)

### **Example:**

(Add a fifth user unlock pass code 5 6 7 8)

Press [ OK ] >> 1 2 3 4 5 6 >> [ OK ] >> 0 2 >> [ OK ] >> 0 5 >>  
[ OK ] >> 5 6 7 8 >> [ OK ] >> [ C ]

---

## **E Delete all unlock pass codes**

- ※ Command code **03**: Delete all unlock pass codes

### **Instruction:**

Enter Administrator mode >> Press Command code 0 3 >>  
[ OK ] >> Press Command code 0 3 >> [ OK ] >> [ C ]

### **Example:**

Press [ OK ] >> 1 2 3 4 5 6 >> [ OK ] >> 0 3 >> [ OK ] >> 0 3 >>  
[ OK ] >> [ C ]

\*\* It will only delete unlock pass codes, the administrator  
pass code will still exist.

# Audio and LED Indications

## General Mode

Description	Audio and LED Indications		
	Button	LED Indications	Sound Effect
Touch the screen in hibernate mode to enter general mode	Lighting for 3 sec	-	1 Short beep
Press any button (except C)	Flash	-	1 Short beep
Press C to cancel	Lighting for 6 sec	-	1 Long beep
Enter the correct pass code	Lighting for 6 sec	Green LED Continuous lighting	1 Long beep
If code number is not entered within 3 seconds, it will be invalid	Lighting for 6 sec	Red LED Lighting for 1 sec	3 Short beeps
Successfully locked	Off	Green LED Off	1 Long beep
The Key Box door opens for 20 seconds	-	Red LED Continuous lighting	Continuous short beep for 20 seconds
Successfully unlocked. If the door hasn't been opened, the Lock Box relocks automatically after 20 seconds.	-	Green LED Off	1 Long beep
Typing wrong pass code	Lighting for 6 sec	Red LED Lighting for 1 sec	3 Short beeps
Unceasing entering the incorrect pass code for 5 times, the Lock Box will be blocked for 3 minutes	-	Red LED Continuous lighting	3 Short beeps
Low battery alert Warning when batteries voltage are less than 4.98V	-	Red LED Flash for 5 sec	3 Short beeps

## Administrator Mode

Description	Audio and LED Indications		
	Button	LED Indications	Sound Effect
Enter Administrator mode	Lighting for 3 sec	Green LED Continuous lighting	1 Long beep
Change Administrator pass code	Lighting for 6 sec	-	1 Long beep
Exit Administrator mode	Flash	Green LED Off	1 Long beep
Add/change user's unlock pass code	Continuous Lighting	-	1 Long beep
Delete all unlock pass codes	Continuous Lighting	-	1 Long beep

## Hibernate Mode

Description	Audio and LED Indications		
	Button	LED Indications	Sound Effect
When the lock box door is opened for 20 seconds, the buzzer will short beep for 20 seconds. → After 20 seconds short beep, the Key Box will automatically enter Hibernate Mode.	-	Green LED Off	-
Unceasing entering the incorrect pass code for 5 times, the Lock Box will short beep 3 sound and blocked for 3 minutes. → After 3 minutes, the Key Box will automatically enter Hibernate Mode.	-	Green LED Off	-