

The JA-111R 80 Bus interface for JA-80 one-way wireless devices

The product is a component of the **JABLOTRON JA-100** system. It can be used to communicate with wireless devices of the JA-80 Oasis. The JA-111R 80 provides an upgrade of the wireless JA-80 system to the JABLOTRON 100 while using some of the original one-way communicating devices (see Table 1). The JA-111R 80 radio module can be combined with JA-11xR modules which communicate with JABLOTRON 100 devices (e.g. keypads, sirens, photo PIRs and such like). The device should be installed by a trained technician with a valid certificate issued by an authorized distributor.

Installation

Install the module at a suitable spot in the building where wireless communication would not be affected. If it's necessary to install the module near larger metal items, electrical devices or cabling keep a minimum installation distance of 2 meters. In order to achieve the best coverage, an installation distance of at least 2 meters from the control panel is recommended. If the system uses multiple radio modules, they must not be placed close to each other (at least 10 meters in an open space or through a wall in a built-up space).

The JA-111R 80 module takes 1 of 3 positions reserved for radio modules.

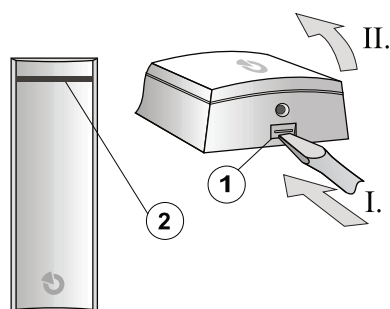


Figure: 1 – cover tab; 2 – yellow LED indicator

1. Open the cover by pushing the tab (1).
2. Break out the holes in the rear housing part. You can break out the bottom part if a cable is in the wall or a side part if the cable is running on the surface. Put the cable through the prepared hole.
3. Attach the rear housing part (9) to the selected place with screws. One screw must be placed in the tampering detection segment (10).

When connecting the module to the bus, always switch the power off.



In order for the module to comply with the EN Grade 2 norm or other requirements, use the System Profiles function in the Parameters tab of the F-Link software.

4. Pull the attachable bus terminals out (7). Connect the bus cable to the terminals.
5. Re-attach the bus terminals in the radio module
6. Close the module housing. When the housing is closed, the cable must be placed in the space divided by the cable separator (11).
7. Proceed according to the control panel installation manual. Basic procedure:
 - a. When the device is switched on, the yellow LED (2) starts flashing repeatedly to indicate that the module has not been enrolled to the system.
 - b. Go to the **F-Link** program, select the required position in the **Devices** window and launch the **Enrollment mode** by clicking on the **Enroll** option.
 - c. Click on **Scan/add new BUS devices**, select the radio module and double-click on it to enroll it - the yellow LED indicator (2) will deactivate.

Notes:

- For better identification of a particular device during the enrollment procedure via the F-Link SW, we recommend removing the label with the production code (3) before you close the cover and sticking it on an installation list with a note about the device's location.
- The radio module can also be enrolled in *Enrollment mode* by closing its plastic cover.
- The detector can also be enrolled to the system by entering its production code (3) in F-link. All numbers stated under the bar code shall be entered (example: 1400-00-0000-0001).

Module property settings

Go to the **Devices** window in the F-Link program. When you are at the module position, use the **Internal settings** option to open a dialogue window where you can set:

LED indication during communication: The default setting is that the module indicates communication with wireless detectors with a red LED light. This indication can be disabled.

Interference detection: It is **Disabled** as default. However, it can be set to two levels – **low** (interference lasts longer than 30s per minute) and **high** (interference lasts longer than 10s per 20s). When the detection is enabled, the system is able to report communication band *interference*.

Supported	Unsupported
JA-8x detectors	JA-8xF keypads
RC-8x remote controls	JA-84P photo PIR
	JA-80Z signal repeater
	JA-80x sirens
	TP-xx thermostats
	AC-8x a UC-82 output modules
	JA-8xK control panels

Table 1 – supported and unsupported devices

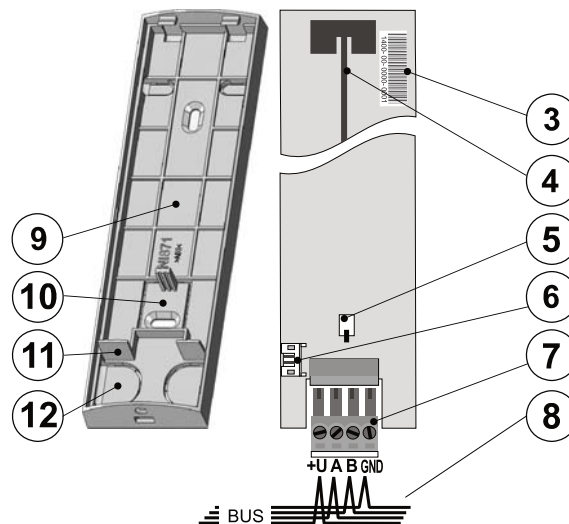


Fig 2: 3 – production number; 4 – antenna; 5 – tamper contact; 6 – BUS connector; 7 – attachable bus terminals; 8 – BUS cable; 9 – rear housing part; 10 – tampering detection segment; 11 – cable separator; 12 – holes for BUS cable

Technical specifications

Power	from control panel digital bus 12 V (9...15 V)
Current consumption in standby mode	35 mA
Current consumption for cable selection	80 mA
Radio communication frequency (receiver)	868.5 MHz
Dimensions	43 x 160 x 23 mm
Weight	70 g
Classification according to	Security grade 2, ACE type B EN 50131-1, EN 50131-3, EN 50131-5-3
Operational environment	II.indoor general (according to EN 50131-1)
Operating temperature range	-10 to +40°C
Also complies with	ETSI EN 300 220, EN 50130-4 EN 55022, EN 60950-1 ERC REC 70-03
Can be operated according to	



JABLOTRON ALARMS a.s. hereby declares that the JA-111R 80 is in a compliance with the essential requirements and other relevant provisions of: Directive 2014/53/EU, 2014/35/EU, 2014/30/EU and 2011/65/EU. The original of the conformity assessment can be found at www.jablotron.com.

Note: Although this product does not contain any harmful materials we suggest you return the product to the dealer or directly to the producer after use.