

# DH-PFA132

## Junction Box



### Features

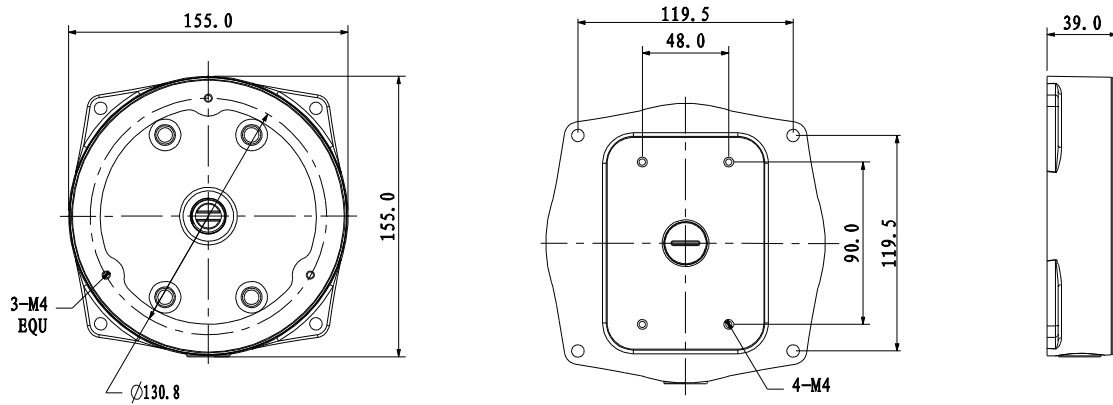
- Material: Aluminum
- Junction Box
- Neat & Integrated design
- Water-proof

### Specifications

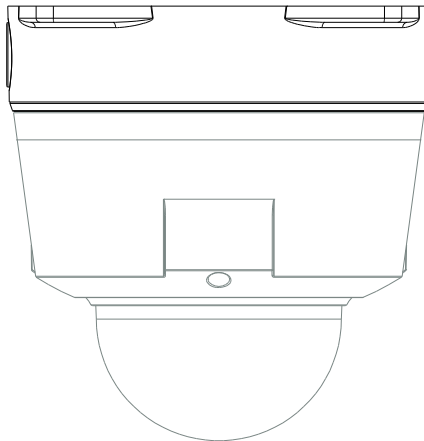
<b>Model</b>	<b>DH-PFA132</b>
<b>General</b>	
Material	Aluminum
Dimension (W x D x H)	155mm x 155mm x 39mm
Pipe Thread	N/A
Operating Temperature	-40°C ~60°C
Humidity	0~90% RH
Load Bearing	3Kg
Weight	0.6Kg

# DH-PFA132

## Dimensions (mm)



## Application



---

### Dahua Technology Co., Ltd.

1199 BinAn Road, Binjiang District, Hangzhou, China

Tel: +86-571-87688883

Fax: +86-571-87688815

Email: [overseas@dahuatech.com](mailto:overseas@dahuatech.com)

[www.dahuasecurity.com](http://www.dahuasecurity.com)

\*Design and specifications are subject to change without notice.

© 2014 Dahua Technology Co., Ltd.